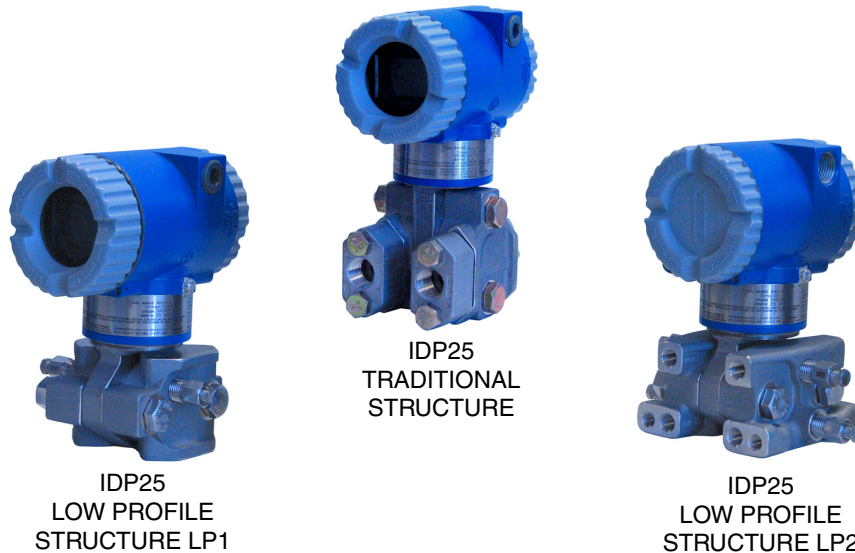


**Model IDP25 Multirange Differential Pressure Transmitter
w/FoxCom™, HART, or FOUNDATION Fieldbus Communication Protocol**



The Foxboro® brand I/A Series® Model IDP25 is an intelligent, multirange, two-wire d/p Cell® transmitter that provides precise, reliable, measurement of differential pressure, providing the measurement range and performance of “two transmitters in one.” It transmits a 4 to 20 mA or digital output signal, as applicable, using FoxCom, HART, or FOUNDATION Fieldbus communication protocol for remote configuration, calibration, and monitoring.

FEATURES

- ▶ Silicon strain gauge sensors successfully field-proven in many thousands of installations.
- ▶ Digital precision, stability, and resolution ensure top measurement performance.
- ▶ Multirange transmitters simplify planning, ordering, and spares procurement and stocking.
- ▶ Wide measurement spans from 0.12 to 250 kPa (0.5 to 1000 inH₂O) using only two sensors, each having 400:1 turndown capability.
- ▶ Can be provided as a sealed measurement system with numerous configurations of direct connected or capillary connected seals available.
- ▶ Simple, elegant sensor packaging with very few parts achieves exceptionally high reliability.
- ▶ A selection of FoxCom, HART, or FOUNDATION Fieldbus Protocols for remote communication.
- ▶ Local configuration available with the optional LCD Indicator with on-board pushbuttons.
- ▶ Transmitter available with traditional or low profile transmitter structures (see photos above).
- ▶ Hastelloy C or Industry Standard 316L ss offered for sensor wetted parts materials.
- ▶ Dual Seal Certified by CSA to meet ANSI/ISA 12.27.01-2003 requirements.

- ▶ Multi-marking is available for HART electronic versions for FM, CSA, and ATEX intrinsically safe installations. The user determines and permanently marks on the data plate the certification to be applied.
- ▶ Durable aluminum or 316 ss housing available; both meet NEMA 4X and IP66 ratings.
- ▶ Optional mounting bracket sets allow pipe, surface, or manifold mounting of transmitter.
- ▶ Complies with applicable EMC and PED European Union Directives; see inside pages.
- ▶ FOUNDATION Fieldbus versions are FISCO and FNICO compliant.
- ▶ Designed for hazardous area installations. Versions available to meet Agency flameproof and zone requirements.
- ▶ Standard 5-year warranty; 17-year optional.

I/A Series PRESSURE TRANSMITTER FAMILY

The I/A Series Electronic Pressure Transmitters are a complete family of d/p Cell, gauge, absolute, multirange, multivariable, and premium performance transmitters, as well as transmitters with remote or direct connect seals, all using field-proven silicon strain gauge sensors and common topworks.

TRUE MULTIRANGE CAPABILITY

Excellent performance is maintained over a very wide turndown range. The transmitter provides not only the functionality of two transmitters in one, but also provides performance that could previously be attained only by selecting one of several different sensors.

MULTIRANGE FUNCTIONALITY

The turndown ratio for span adjustment is 400:1. This means that the IDP25 with its 50 kPa (200 inH₂O) URL sensor can be set to provide a 4 to 20 mA output for any range between 0 to 0.12 and 0 to 50 kPa (0 to 5 and 0 to 200 inH₂O). Similarly, the

IDP25 transmitter with its 250 kPa (1000 inH₂O) URL sensor covers any range between 0 to 0.625 and 0 to 250 kPa (0 to 2.5 and 0 to 1000 inH₂O).

Therefore, this means that each sensor covers the ranges normally requiring two separate transmitters.

MULTIRANGE PERFORMANCE

Accuracy of $\pm 0.050\%$ of span is maintained for a span adjustment turndown range of 80:1, and does not exceed $\pm 0.075\%$ of span until a full 120:1 turndown is reached. Most competitive transmitters have an error greater than $\pm 0.075\%$ of span when turndowns exceed 10:1 to 20:1.

The IDP25 is a true multirange transmitter because its performance is maintained over a very wide turndown range, meaning that it performs as well as, or better than, two separate transmitters designed to cover the same turndown range.

DIGITAL AND 4 to 20 mA OUTPUT VERSIONS

FoxCom, HART, and FOUNDATION Fieldbus communication protocols are described below.

Digital FoxCom or 4 to 20 mA dc (Configurable) (Version -D Electronics)

FoxCom Digital Output

Provides Measurement Integration with I/A Series systems, transmission of multiple measurements, and workstation configuration and diagnostics. Also provides digital communications with a PC-based Configurator or optional LCD Indicator with on-board pushbuttons for local configuration and calibration.

FoxCom 4 to 20 mA Output

Allows direct analog connection to common receivers while still providing full intelligent transmitter digital communications with a PC-based Configurator, applicable I/A Series system FBMs, or optional LCD Indicator with on-board pushbuttons for local configuration and calibration.

Digital HART and 4 to 20 mA dc (Version -T Electronics)

4 to 20 mA with HART communications. Allows direct analog connection to common receivers while still providing full Intelligent Transmitter Digital Communications using a PC-based Configurator, HART Communicator, or optional LCD Indicator for local configuration and calibration.

Users having HART Communicators for other devices can have them upgraded with Foxboro software to accommodate these transmitters. Also, Foxboro will make use of the HART Foundation library of registered DDs (Device Descriptors), and reload the Communicator if the user desires to keep another supplier's DD along with the Foxboro DD.

Digital FOUNDATION Fieldbus (Version -F Electronics)

This all digital, serial, two-way communication system interconnects field devices, such as transmitters, actuators, and controllers. It is a Local Area Network (LAN) with built-in capability to distribute control application across the network. Fieldbus technology consists of a Physical Layer, a Communication Stack, and User Application Blocks. The Communication Stack includes a Link Access Scheduler and the Application Blocks include AI (Analog Input) and PID (proportional, integral, derivative) function blocks. Interoperability of fieldbus devices is achieved using device addresses (IDs) and device descriptors (DDs).

COMPLIANCE WITH EUROPEAN UNION DIRECTIVES

- ▶ Complies with Electromagnetic Compatibility Requirements of European EMC Directive 2004/108/EC by conforming to the following EN and IEC Standards: EN 61326-1 and IEC 61000-4-2 through 61000-4-6.
- ▶ Complies with NAMUR NE 21 Interference Immunity Requirement.

- ▶ Analog output complies with NAMUR NE 43 overrange and underrange annunciations.
- ▶ CE marked; complies with applicable EMC, ATEX, and PED European Union directives.

HAZARDOUS AREA INSTALLATIONS

See Electrical Safety Specifications section.

FISCO/FNICO COMPLIANT

FOUNDATION Fieldbus Version (Electronic Version -F) certified by ATEX and IECEx for FISCO field device intrinsically safe, and FNICO field device protection n installations. Also certified for intrinsically safe and nonsparking user entity parameters.

PROCESS CONNECTORS

Removable, gasketed process connectors allow a wide range of selections, including 1/4 NPT, 1/2 NPT, Rc 1/4, Rc 1/2, and weld neck connections.

SENSOR CORROSION PROTECTION

Choice of 316L ss or highly corrosion resistant Hastelloy C material. See TI 037-75b for process applicability with both 316L ss and Hastelloy C process wetted materials.

EASE OF INSTALLATION

Rotatable Topworks allows transmitter installation in tight places, allows indicator to be positioned in preferred direction, and eases field retrofit.

Two Conduit Entrances offer a choice of entry positions for ease of installation and self-draining of condensation regardless of mounting position and topworks rotation.

Wiring Guides and Terminations provide ease of wire entry and support, plenty of space to work and store excess wire, and large, rugged screw terminals for easy wire termination.

OPTIONAL LCD DIGITAL INDICATOR)

A two-line digital indicator (Figure 17) with on-board pushbuttons is available to display the measurement with a choice of units. The pushbuttons allow zero and span adjustments, as well as local configuration without the need for a PC-based configurator.

OPTIONAL MOUNTING BRACKET SETS

In addition to the standard style mounting bracket sets optionally offered with these transmitters, a unique universal style mounting bracket has been developed to allow wide flexibility in transmitter mounting configurations consistent with installation requirements. All mounting bracket sets allow mounting to a surface, pipe, or manifold. Refer to Dimensions - Nominal section.

UNIQUE PROCESS COVER/CELL BODY DESIGN

Biplanar Construction (Figure 1) maintains the traditional horizontal process connections and vertical mounting by providing a cell body contained between two process covers, while still achieving light weight, small size, and high standard static pressure rating of 25 MPa (3625 psi). This provides easy retrofit of any conventional differential pressure transmitter, and also is easily mounted in the horizontal position with vertical process connections, when required.

Process Covers (Figure 1) are fully supported by the cell body over their entire height. This prevents bending and results in a highly reliable seal. Also, this provides dimensional stability to the process covers, ensuring that they will always mate properly with 3-valve bypass manifolds.

Process Cover Bolts (Figure 1) are enclosed to minimize corrosion and to minimize early elongation with rapid temperature increases. The design makes it less likely for the transmitter to release process liquid during a fire.

Process Cover Gaskets are ptfе as standard; ptfе provides nearly universal corrosion resistance, and eliminates the need to select and stock various elastomers to assure process compatibility.

Light Weight provides ease of handling, installation, and direct mounting without costly pipe stands.

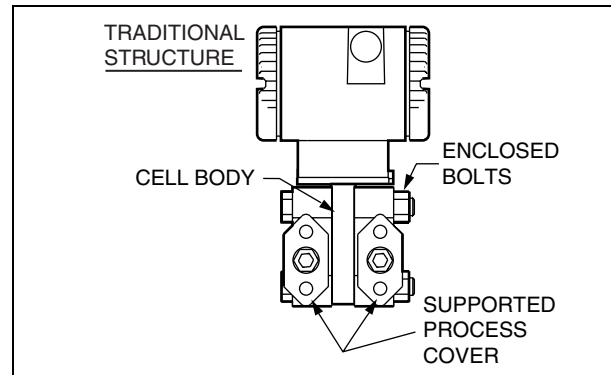


Figure 1. Biplanar Construction Shown with Traditional Horizontal Process Connections

TRANSMITTER STRUCTURES

Traditional and low profile structures (LP1 and LP2) are offered to accommodate and to provide flexibility in transmitter installations. See paragraphs below.

Traditional Structure

The traditional structure (Figure 2) utilizes the right angle design common to most differential pressure transmitters in use throughout the world. Process connections are oriented 90 degrees from the transmitter centerline.

This traditional structure makes it easy to retrofit any transmitters of similar design.

Sensor cavity venting and draining is provided for both vertical and horizontal transmitter installation, using innovative tangential connections to the sensor cavity (Figures 3 and 4). Optional side vents are offered for sensor cavity venting in the upright position (Figure 5).

An extensive variety of process-wetted materials are available for the process covers on this highly versatile and widely used transmitter.

Refer to the pages that follow for descriptions of low profile structure LP1 and low profile structure LP2.

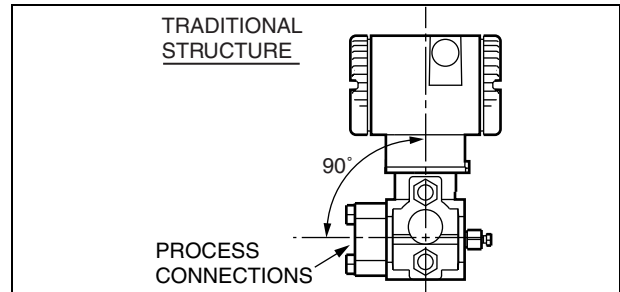


Figure 2. Vertical Mounting Showing Process Connections at 90 degrees

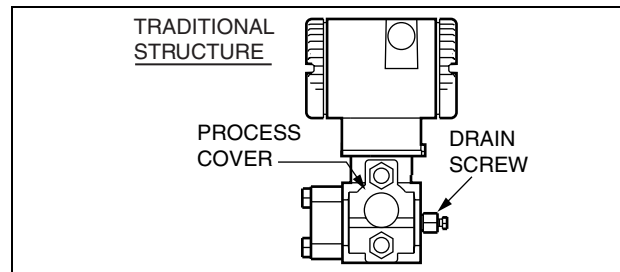


Figure 3. Vertical Mounting - Cavity Draining

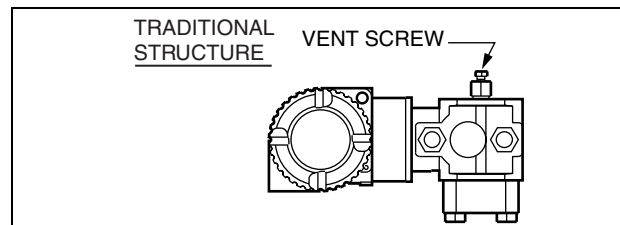


Figure 4. Horizontal Mounting - Cavity Venting, and Self-Draining into Process Line

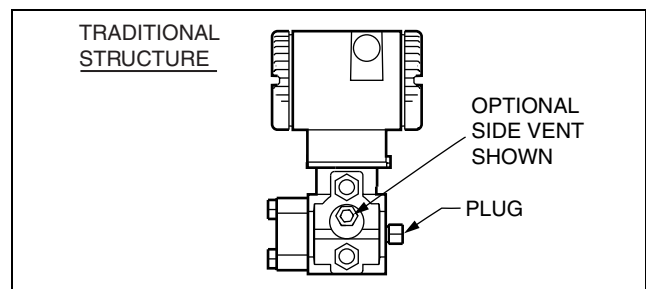


Figure 5. Vertical Mounting - Cavity Venting, and Self-Draining into Process Line

Low Profile Structures

The low profile structures utilize an in-line design, placing the process connections in line with the transmitter centerline (Figures 6 and 7). This allows mounting of the transmitter in the upright position with the process connections facing downward, for connection to vertical process piping or for mounting directly to a three- or five-valve manifold.

The low profile structures provide a mounting style similar to that used by competitive Coplanar™ transmitters. This makes it easy to select Foxboro transmitters for both retrofit and new applications where this type of installation is desired.

Transmitters with the low profile structure can be attached directly to existing, installed Coplanar manifolds, such as the Rosemount Model 305RC, or Anderson Greenwood Models MB3, MB5G, and MB5P, by use of an optional adapter plate (see Figure 8). Also, when assembled to the same process piping or manifold as a Coplanar transmitter, one of the electrical conduit connections is located within one inch (plus or minus) of the similar conduit connection on the competitive transmitter, assuring ease of retrofit or conformance with installation design drawings.

All parts making up the low profile versions are identical to the parts in the traditional version except for the process covers and the external shape of the sensor cell body.

For user convenience, two types of low profile structures are offered, type LP1 and LP2. The process covers are the only transmitter parts that differ between structure types LP1 and LP2.

Refer to the sections that follow for further descriptions of low profile structures LP1 and LP2.

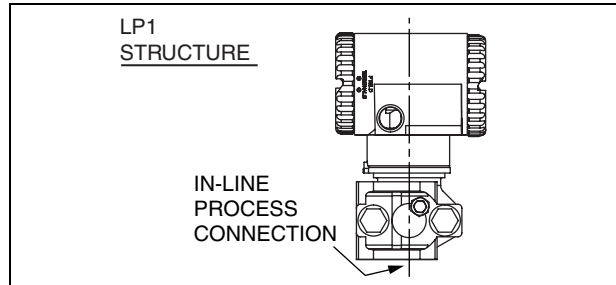


Figure 6. Low Profile Structure - LP1 Shown

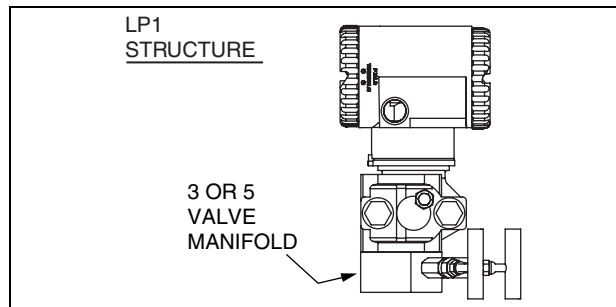


Figure 7. LP1 Shown Directly Mounted to Manifold

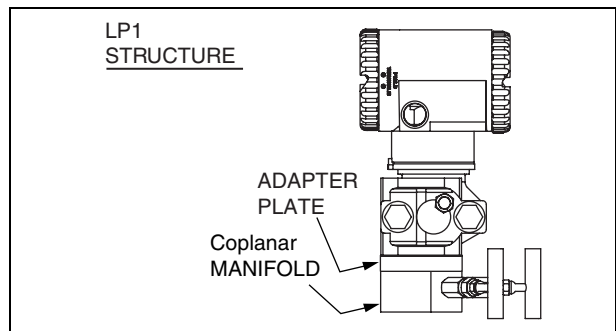


Figure 8. LP1 Shown Mounted to a Coplanar Manifold using an Optional Intermediate Adapter Plate

Low Profile Structure LP1 – Direct Mount

Low Profile Structure LP1 is a compact, inexpensive, lightweight design for direct mounting to a separately mounted manifold or process piping. These transmitters are not typically bracket-mounted.

They are supplied as standard with a single vent/drain screw in the side of each process cover. In conjunction with the standard tangential venting and draining design, they are suitable for mounting either vertically (Figure 9) or horizontally, and are suitable for nearly all applications, including liquids, gases, and steam. For horizontal installation, they can simply be “turned over” (rotated 180 degrees - Figures 10 and 11) to orient the high and low pressure sides in the preferred locations. There is no need to unbolt process covers. The topworks housing can also be rotated, as shown, to orient the conduit connections in the desired position.

In the vertical, upright position, they are also self-draining and are ideal for gas flow rate service, when directly mounted to a manifold located above the horizontal pipeline. The vent screw can be omitted for this or other applications, if desired.

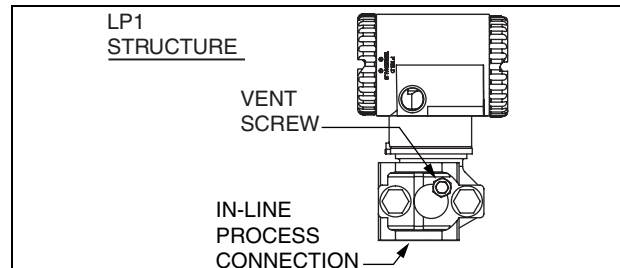


Figure 9. Upright Mounting

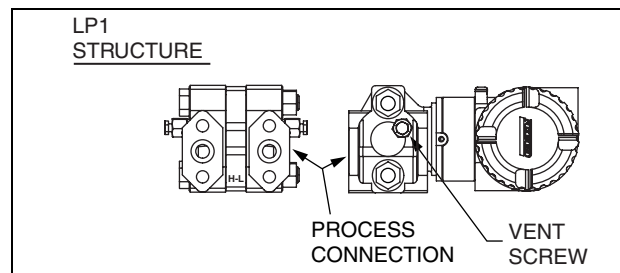


Figure 10. Horizontal Mounting with Vent Screw

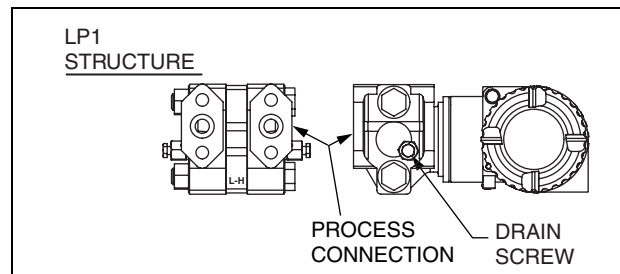


Figure 11. Horizontal Mounting with Drain Screw

Low Profile Structure LP2 - Bracket or Direct Mount

Structure LP2 is a universal design for either bracket or direct mounting. Drilled and tapped mounting holes facilitate mounting to either new or existing Foxboro brackets (Options -M1, -M2, and -M3), as well as standard brackets supplied with existing Coplanar transmitters. See Figures 12 and 13.

These transmitters can also be directly mounted to manifolds or process piping and are available with the same optional adapter used with low profile structure LP1 to fit existing Coplanar manifolds (Figure 14).

For extra convenience, they use a full-featured vent and drain design, with separate vent and drain screws positioned in each cover for complete venting or draining directly from the sensor cavity. They are normally recommended for upright, vertical installation.

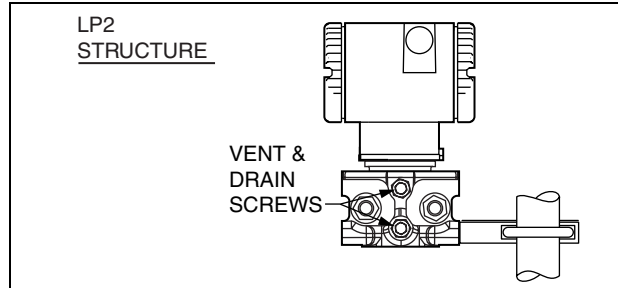


Figure 12. Shown on Foxboro Universal Bracket

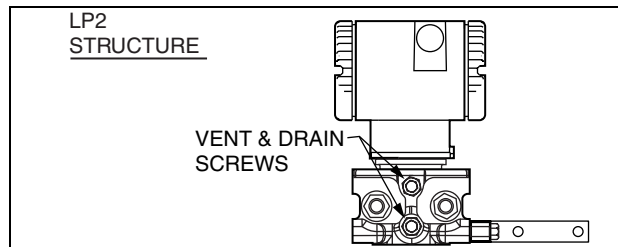


Figure 13. Shown on Coplanar Bracket

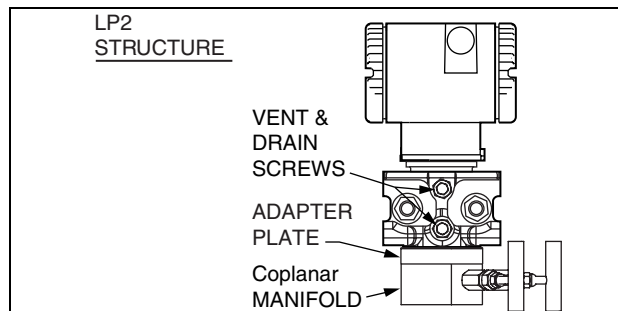


Figure 14. Adapter Mount/Existing Coplanar Manifold

PRESSURE SEALS

Pressure seals are used with transmitters having a traditional structure (see Transmitter Structures section above) when it is necessary to keep the transmitter isolated from the process. A sealed system is used for a process fluid that may be corrosive, viscous, subject to temperature extremes, toxic, sanitary, or tend to collect and solidify.

Table 1 lists the various pressure seals that can be used with an IDP25 Transmitter. To order a transmitter with seals, both a Transmitter Model Number and Seal Model Number are required. For a complete listing of pressure seal models and specifications, see PSS 2A-1Z11 A. Also see Figure 15 for typical pressure seal configurations.

Table 1. Pressure Seals Used with IDP25 Transmitters with a Traditional Structure

Direct Connect Pressure Seal Assemblies		
Seal Model	Seal Description	Process Connections
PSFLT	Flanged, Direct Connect (Flanged Level), Flush or Extended Diaphragm	ANSI Class 150/300/600 flanges and BS/DIN PN 10/40, 10/16, 25/40 flanges
PSSCT	Sanitary, Direct Connect (Level Seal), Flush Diaphragm	Process Connection to Sanitary Piping with 2- or 3-inch Tri-Clamp
PSSST	Sanitary, Direct Connect (Level Seal), Extended Diaphragm	Process Connection to 2-in Mini Spud or 4-in Standard Spud; Tri-Clamp
Remote Mount, Capillary-Connected Pressure Seal Assemblies		
Seal Model	Seal Description	Process Connections
PSFPS	Flanged, Remote Mount, Flush Diaphragm	ANSI Class 150/300/600 flanges and BS/DIN PN 10/40 flanges
PSFES	Flanged, Remote Mount, Extended Diaphragm	ANSI Class 150/300/600 flanges and BS/DIN PN 10/40, 10/16, 25/40 flanges
PSFAR	Flanged, Remote Mount, Recessed Diaphragm	ANSI Class 150/300/600/1500 flanges
PSTAR	Threaded, Remote Mount, Recessed Diaphragm	1/4, 1/2, 3/4, 1, or 1 1/2 NPT internal thread
PSISR	In-Line Saddle Weld, Remote Mount, Recessed Diaphragm	Lower housing of seal is in-line saddle welded to nominal 3- or 4-inch (and larger) Pipe
PSSCR	Sanitary, Remote Mount, Flush Diaphragm	Process Connection secured with a Tri-Clamp to a 2- or 3-inch pipe
PSSSR	Sanitary, Remote Mount, Extended Diaphragm	Process Connection to 2-in Mini Spud or 4-in Standard Spud; Tri-Clamp



Figure 15. Typical Pressure Seals used with IDP25 Transmitters with a Traditional Structure

FUNCTIONAL SPECIFICATIONS

Span Limits for IDP25 Multirange Differential Pressure Transmitters

Span Limit Code	kPa	inH ₂ O	mbar	psi	mmHg
B	0.12 and 50	0.5 and 200	1.2 and 500	0.017 and 7.2	0.93 and 375
C	0.625 and 250	2.5 and 1000	6.25 and 2500	0.09 and 36	4.68 and 1870

Range Limits for IDP25 Multirange Differential Pressure Transmitters (a)

Span Limit Code	kPa	inH ₂ O	mbar	psi	mmHg
B	-50 and +50	-200 and +200	-500 and +500	-7.2 and +7.2	-375 and +375
C	-250 and + 250	-1000 and +1000	-2500 and +2500	-36 and +36	-1870 and +1870

(a) Positive values indicate HI side of sensor at the high pressure, and negative values indicate LO side of sensor at the high pressure.

Maximum Static and Proof Pressure Ratings for IDP25 Multirange Differential Pressure Transmitters

Span Limit Code	Transmitter Configuration (See Model Code for Description of Options)	Static Pressure Rating (a)			Proof Pressure Rating (b)		
		MPa	psi	bar or kg/cm ²	MPa	psi	bar or kg/cm ²
All Span Limit Codes	With Option -Y or -D9	40	5800	400	100	14 500	1000
	Standard or with Option -B2, -D3, -D7, -P3, -P7	25	3625	250	100	14 500	1000
	With Option -B3, -P4, -P8	20	2900	200	70	11 150	700
	With Option -D1	16	2320	160	64	9280	640
	With Option -B1, -D5, -P2, -P6	15	2175	150	60	8700	600
	With Option -D2, -D4, -D6, -D8	10	1500	100	40	6000	400

(a) Static pressure rating of 40 MPa (5800 psi) is optionally available by selecting Option Code -Y. See Model Code section for restrictions with certain options.

(b) Proof pressure ratings meet ANSI/ISA Standard S82.03-1988. Unit may become nonfunctional after application of proof pressure.

Output Signal and Configuration

FOXCOPROTOCOL (VERSION -D)

Digital FoxCom or 4 to 20 mA. Configurable using an I/A Series system (with applicable FBMs), a PC-based configurator, or the optional LCD Indicator.

HART PROTOCOL (VERSION -T)

4 to 20 mA with HART Communications. When configured for multidrop applications, the mA signal is fixed at 4 mA to provide power to the Transmitter. Configurable using the HART

Communicator, a PC-based configurator, or the optional LCD Indicator.

FOUNDATION Fieldbus PROTOCOL (VERSION -F)

This digital, serial, two-way communication system runs at 31.25 kbits/s. The digital output signal is superimposed on the dc power signal on the bus, and controlled by a strict cycle schedule and protocol. Configurable using Host Computer (I/A Series System Workstation or a PC) having a fieldbus interface PWA, or optional LCD Indicator.

FUNCTIONAL SPECIFICATIONS (CONT.)

Suppressed Zero and Elevated Zero

Suppressed or elevated zero ranges acceptable as long as Span and Range Limits are not exceeded.

Zero and Span Adjustments

Zero and span adjustments can be initiated from any of the following: I/A Series Workstation (with applicable FBMs), HART Communicator, a PC-based configurator, or the optional LCD Indicator with on-board pushbuttons.

Zeroing for Nonzero-Based Ranges

Dual Function Zeroing is provided to allow zeroing with the transmitter open to atmosphere, even when there is a nonzero-based range. This greatly simplifies position effect zeroing on many pressure and level applications. It applies to optional LCD Indicator Pushbuttons and optional External Zero Adjustment.

Adjustable Damping

The transmitter response time is normally 0.75 s, or the electronically adjustable setting of 0.00 (none), 0.25, 0.50, 1, 2, 4, 8, 16, or 32 seconds, whichever is greater, for a 90% recovery from an 80% input step as defined in ANSI/ISA S51.1 (for 63.2% recovery, 0.60 s). With FOUNDATION Fieldbus, additional damping is available because damping can be set on both the Transducer and AI blocks.

Electronics and Sensor Temperatures

Readable from I/A Series System, HART Communicator, Fieldbus Host System, or PC-based Configurator. Measurement is transmitter temperature at the sensor and the electronics module, not necessarily process temperature.

Field Wiring Reversal

No transmitter damage.

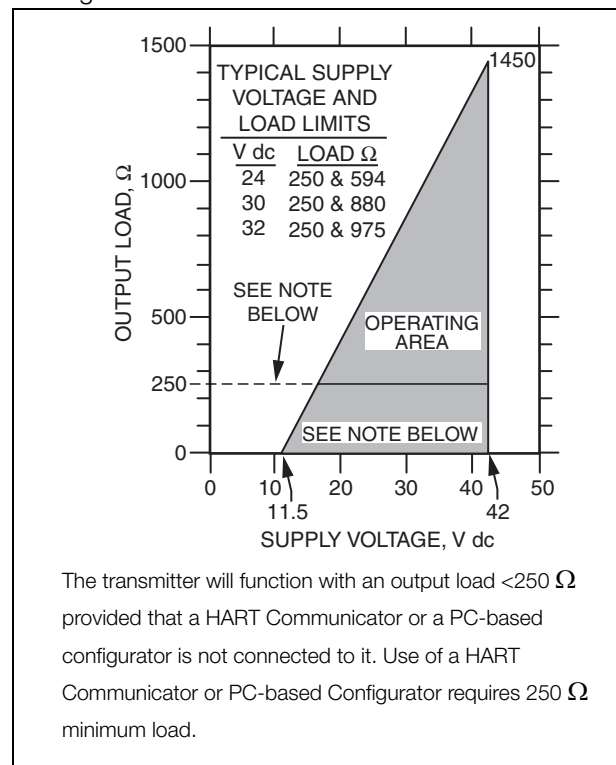
Supply Voltage

DIGITAL OUTPUT

- Version -D Electronics (FoxCom)
 - Power supplied through I/A Series System
- Version -T Electronics (HART)
 - Bidirectional digital signal superimposed on the 4 to 20 mA current signal.
- Version -F Electronics (FOUNDATION Fieldbus)
 - Power supplied through a specific Fieldbus power supply connected to the bus.

4 to 20 mA (FoxCom/-D AND HART/-T)

Minimum voltage shown in Figure 16 is 11.5 V dc. This can be reduced to 11 V dc by using a plug-in jumper on the terminal block. See Figure 24.



The transmitter will function with an output load <250 Ω provided that a HART Communicator or a PC-based configurator is not connected to it. Use of a HART Communicator or PC-based Configurator requires 250 Ω minimum load.

Figure 16. 4 to 20 mA Output, Supply Voltage vs. Output Load

FUNCTIONAL SPECIFICATIONS (CONT.)

Square Root Low Flow Cutoff

User configurable to provide:

- ▶ Cutoff to Zero at Flows < 10% of Maximum Flow (1% of Maximum Differential Pressure).
- ▶ Or Active Point-to-Point Line between Zero and 20% of Maximum Flow (4% of Maximum Differential Pressure).
- ▶ Flow Cutoff in Engineering Units (Fieldbus Only)

Write Protect Jumper

Can be positioned to lock out all configurators from making transmitter database changes. This makes transmitter suitable for Safety Shutdown System Applications that require this feature.

Current Outputs for Overrange, Fail, and Offline Conditions - FoxCom and HART Only

Parameter	FoxCom	HART
OFFLINE	User configurable between 4 and 20 mA	
SENSOR FAILURE	User configurable to Fail LO or Fail HI	
FAIL LO	3.60 mA	3.60 mA
UNDERRANGE	3.75 mA	3.80 mA
OVERRANGE	21.00 mA	20.50 mA
FAIL HI	22.00 mA	21.00 mA

Configuration and Calibration Data, and Electronics Upgradeability

All factory characterization data, and user configuration and calibration data are stored in the sensor. This means that the electronics module can be replaced or changed from one type to another.

A module may be replaced without the need for reconfiguration or recalibration. Although module replacement can affect accuracy up to 0.20% of span, this error can be removed by an mA trim without application of pressure.

Changing module types may require reconfiguration and recalibration, as well as a different terminal block, if applicable, but all factory characterization data is retained.

Configuration Capability (See Note below)

CALIBRATED RANGE

- Input range within Span and Range Limits.
- Pressure EGU. See Table 2.

OUTPUT MEASUREMENT #1 — DIGITAL PRIMARY VARIABLE; AND 4 to 20 mA (FOXCOM AND HART ONLY)

- Mode
 - Linear or Square Root
- Units for Linear Mode
 - Same as calibrated range; or a Custom EGU (FoxCom only)
- Units for Square Root Mode
 - % of flow; or a Custom EGU (FoxCom only)

OUTPUT MEASUREMENT #2 — DIGITAL SECONDARY VARIABLE

- Mode
 - Linear or Square Root (Independent of Measurement #1)
- Units for Linear Mode
 - A common pressure EGU, or a custom EGU (FoxCom only)
- Units for Square Root Mode
 - % of flow; or a Custom EGU (FoxCom only)
- Measurements #1 and #2
 - These measurements may be swapped.

NOTE

Numerous parameters can be configured and/or displayed, such as electronic damping, failsafe direction, transmitter location, calibration, tag data, etc. See configuration documents for details.

Table 2. Available Units for Calibrated Range

inH ₂ O	cmH ₂ O (a)	cmHg (a)	kPa	mbar	kg/cm ²
ftH ₂ O	inHg	dy/cm ² (a)	MPa	bar	psi
mmH ₂ O	mmHg	Pa	torr	g/cm ²	atm

(a) Available with FoxCom (Version -D) only.

FUNCTIONAL SPECIFICATIONS (CONT.)

FoxCom (Version -D) Communications

DIGITAL MODE (FIXED CURRENT)

Digital output signal is updated 10 times per second and carries the pressure measurement, and sensor and electronics temperature measurements. See Table 4 for communication parameters.

4 to 20 mA ANALOG MODE

Analog output is updated a minimum of 30 times per second. A minimum loop load of 250 ohms is required. See Table 4 for communication parameters.

HART (Version -T) Communications

4 to 20 mA ANALOG MODE

Analog output signal is updated 30 times per second. A minimum loop load of 250 ohms is required. See Table 4 for communication parameters.

MULTIDROP MODE (FIXED CURRENT)

This Mode supports communications with up to 15 transmitters on a single pair of signal/power wires. The output signal is updated 4 times/second. A minimum loop load of 250 ohms is required. See Table 4 for communication parameters and Figure 22 for a typical multidrop block diagram.

FOUNDATION Fieldbus (Version -F) Digital Communications

This serial, two-way communication system runs at 31.25 kbits/s. The digital output signal is superimposed on the dc power signal on the bus, and controlled by a strict cycle schedule and protocol. Supply voltage, 9 to 32 V dc, is by a specific Fieldbus power source. Current consumption is 19.5 mA. The maximum number of devices on a non-intrinsically safe bus is 32. For intrinsically safe bus systems, the maximum number is 5. See Table 4 for communication parameters.

Optional Custom Configuration (Option -C2)

For the transmitter to be custom configured by the factory, the user must fill out a data form. If this option is not selected, a standard default configuration will be provided. See Table 3.

Table 3. Option -C2 Configuration Example

Parameter	Standard (Default) Configuration	Example of Custom Configuration Option -C2
Measurement 1	Linear	Square Root
Device Name	DevNam	FT103A
External Zero	Enabled	Disabled
EGU	%	inH ₂ O
Damping	None	0.5 s

Table 4. Communication Parameters - FoxCom, HART, and FOUNDATION Fieldbus

Parameter	FoxCom		HART		Fieldbus
	Analog Mode	Digital Mode	Analog Mode	Multidrop Mode	Digital
Remote Configurator	PC-based Configurator or I/A Series System		HART Communicator or PC-based Configurator		I/A Series System, PC or Fieldbus Certified Host
Communication Rate	600 baud	4800 baud	1200 baud	1200 baud	31.25 kbits/s
Communication Distance (Rated)	1800 m (6000 ft)	600 m (2000 ft)	3050 m (10 000 ft)	1525 m (5000 ft)	1900 m (a) (6235 ft) (a)

(a) The total bus length including all spurs. Maximum spur length is 120 m (395 ft). For hybrid installations, the maximum IS spur length is dependent on the field barrier used. For intrinsically safe bus installations, maximum spur length is 30 m (98 ft).

FUNCTIONAL SPECIFICATIONS (CONT.)

Optional LCD Digital Indicator (Figure 17)

Indicator Provides:

- ▶ Two Lines; five numeric characters on top line (four when a minus sign is needed) and seven alphanumeric characters on bottom line.
- ▶ Measurement Readout; value on top line and units label on bottom line.
- ▶ Configuration and Calibration Prompts.

Two Pushbuttons Provide for:

- ▶ Configuration Functions
- ▶ Calibration Functions

Optional External Zero Adjustment

An external pushbutton mechanism is isolated from the electronics compartment and magnetically activates an internal reed switch through the housing. This eliminates a potential leak path for moisture or contaminants to get into the electronics compartment. This external zero adjustment can be disabled by a configuration selection. See Figure 17.

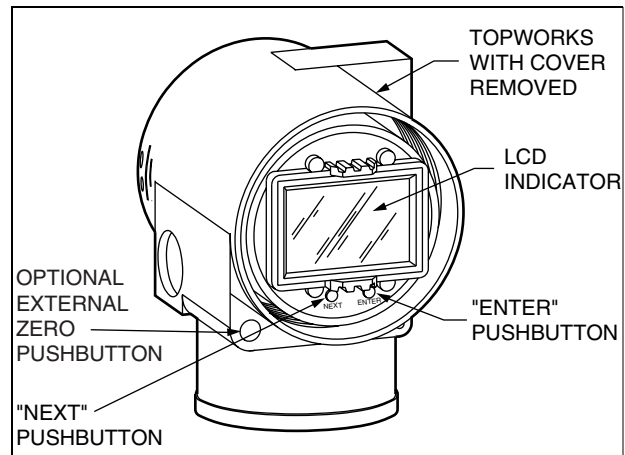


Figure 17. LCD Indicator with Pushbuttons

FUNCTIONAL BLOCK DIAGRAMS

Refer to Figures 18 to 23 for typical FoxCom, HART, and FOUNDATION Fieldbus installation topologies

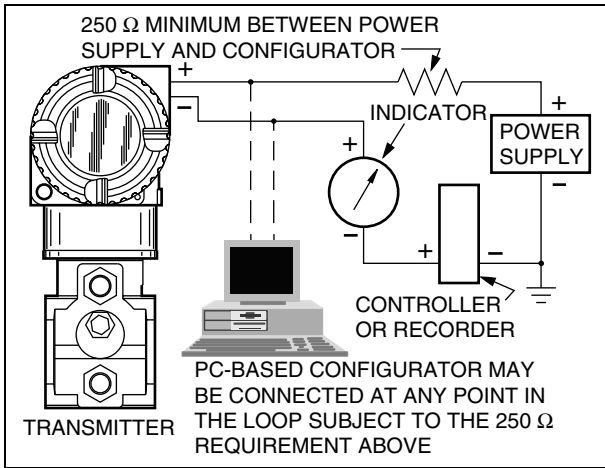


Figure 18. FoxCom 4 to 20 mA Topology

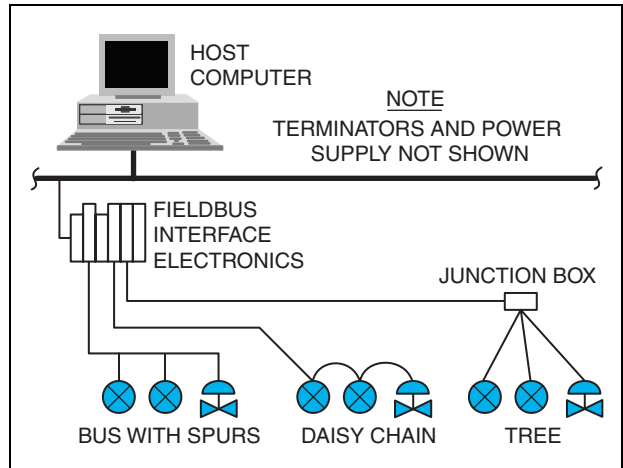


Figure 20. Fieldbus Miscellaneous Topologies

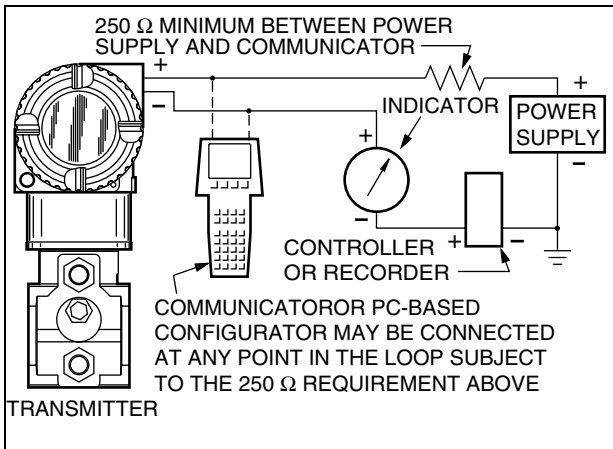


Figure 19. HART 4 to 20 mA Topology

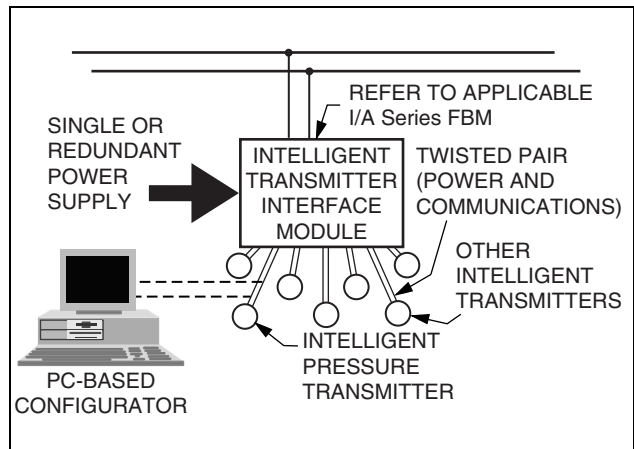


Figure 21. FoxCom Digital Topology

FUNCTIONAL BLOCK DIAGRAMS (CONT.)

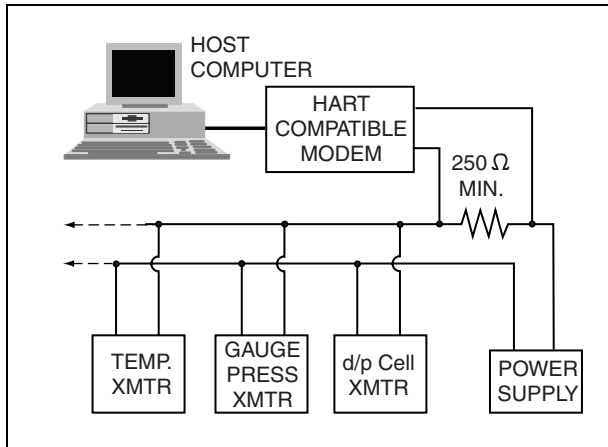


Figure 22. HART Multidrop Topology

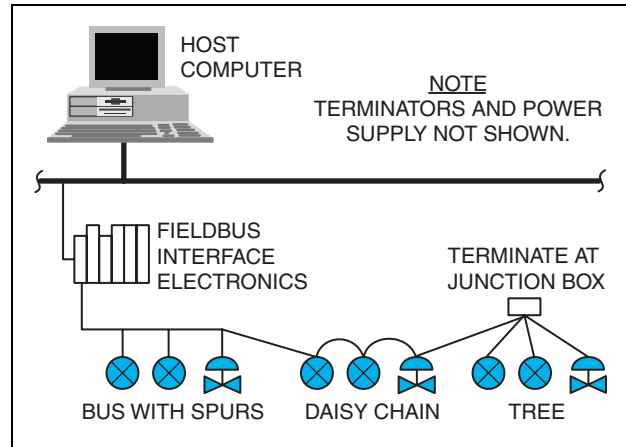


Figure 23. Fieldbus with Mixed Topologies

OPERATING, STORAGE, AND TRANSPORTATION CONDITIONS

Influence	Reference Operating Conditions	Normal Operating Conditions (a)	Operative Limits (a)	Storage and Transportation Limits
Process Connection Temperature ▶ w/Silicone Fill Fluid ▶ w/Fluorinert Fill Fluid	▶ 24 ±2°C (75 ±3°F) ▶ 24 ±2°C (75 ±3°F)	▶ -29 to + 82°C (-20 to +180°F) ▶ -29 to + 82°C (-20 to +180°F)	▶ -46 and +121°C (b) (-50 and +250°F) (b) ▶ -29 and +121°C (-20 and +250°F)	▶ Not Applicable ▶ Not Applicable
Electronics Temperature ▶ with LCD Indicator (Note c)	▶ 24 ±2°C (75 ±3°F) ▶ 24 ±2°C (75 ±3°F)	▶ -29 to + 82 °C(j) (-20 to +180 °F)(j) ▶ -20 to + 82 °C(j) (-4 to +180 °F)(j)	▶ -40 and +85°C(j) (-40 and +185°F)(j) ▶ -29 and +85°C(j) (-20 and +185°F)(j)	▶ -54 and +85°C (-65 and +185°F) ▶ -54 and +85°C (-65 and +185°F)
Relative Humidity (Note d)	50 ±10%	0 to 100%	0 and 100%	0 and 100% Noncondensing
Supply Voltage – mA Output FoxCom and HART	30 ±0.5 V dc	11.5 to 42 V dc (Note e)	11.5 and 42 V dc (Note e)	Not Applicable
Output Load – mA Output FoxCom and HART	650 Ω	0 to 1450 Ω (Note f)	0 and 1450 Ω (Note f)	Not Applicable
Supply Voltage FOUNDATION Fieldbus	30 ±0.5 V dc	9 to 32 V dc (Note g)	9 and 32 V dc (Note g)	Not Applicable
Vibration	1 m/s ² (0.1 “g”)	6.3 mm (0.25 in) Double Amplitude: from 5 to 15 Hz with Aluminum Housing from 5 to 9 Hz with 316 ss Housing ----- 0 to 30 m/s ² (0 to 3 “g”) from 15 to 500 Hz with Aluminum Housing; 0 to 10 m/s ² (0 to 1 “g”) from 9 to 500 Hz with 316 ss Housing		11 m/s ² (1.1 “g”) from 2.5 to 5 Hz (in Shipping Package)
Mounting Position	Upright or Horizontal (h)	Upright or Horizontal (h)	No Limit	Not Applicable

(a) When DIN Construction Options -D2, -D4, -D6, and -D8 are used, the temperature limits are reduced to 0 and 60°C (32 and 140°F).

(b) Selection of Option -J extends the low temperature operative limit of transmitters with silicone filled sensors down to -50°C (-58°F).

(c) Although the LCD will not be damaged at any temperature within the “Storage and Transportation Limits”, updates will be slowed and readability decreased at temperatures outside the “Normal Operating Conditions”.

(d) With topworks cover on and conduit entrances sealed.

(e) 11.5 V dc can be reduced to 11 V dc by using a plug-in shorting bar (not applicable to fieldbus versions).

(f) With FoxCom and with HART, 250 Ω minimum load required for proper communication.

(g) Power supplied by a specific Fieldbus power supply.

(h) Sensor process wetted diaphragms in a vertical plane.

(j) Refer to the Electrical Safety Specifications section for a restriction in ambient temperature with certain electrical certifications.

PERFORMANCE SPECIFICATIONS

Zero-Based Calibrations; Stainless Steel Sensor w/Silicone Fluid; Under Reference Operating Conditions unless otherwise Specified; URL = Upper Range Limit and Span = Calibrated Span

Accuracy (Linear Output) - Table 1 (a)

Accuracy, % of Span (b) (c)	
Spans ≥1.25% URL	Spans <1.25% URL
±0.050%	±[0.000625 (URL/Span)]%

- (a) Accuracy includes Linearity, Hysteresis, and Repeatability.
- (b) Applies to HART (4 to 20 mA or digital), FOUNDATION fieldbus, and FoxCom digital.
- (c) Accuracy is ±0.075% of span for turndowns up to 120:1 for the FoxCom 4 to 20 mA signal.

Accuracy (Square Root Output) (a)

Operating Point % of Flow Rate Span	Accuracy % of Flow Rate Span
50% and Greater	Accuracy % from Table 1
Less than 50% (to cutoff)	$\frac{(\text{Accuracy \% from Table 1})(50)}{\text{Operating Point in \% of Flow Rate Span}}$

- (a) Accuracy includes Linearity, Hysteresis, and Repeatability.

Stability

Long term drift is ±0.15% of URL for 10 years (reference conditions).

Calibration Frequency

The calibration frequency is five years. The five years is derived using the values of allowable error (% span), TPE (% span), performance margin (% span), and stability (% span/month); where:

$$\text{Calibration Frequency} = \frac{\text{Performance Margin}}{\text{Stability}} = \text{Months}$$

Power-up Time

Less than 5 seconds for output to reach first valid measurement.

RFI Effect

The output error is less than 0.1% of span for radio frequencies in the range of 27 to 1000 MHz and field intensity of 30 V/m when the transmitter is properly installed with shielded cable in conduit and earthing (grounding), and housing covers are in place. (Per IEC Std. 61000-4-3.)

Vibration Effect

Total effect is ±0.2% of URL per “g” for vibrations in the frequency range of 5 to 500 Hz; with double amplitudes of 6.3 mm (0.25 in) in the range of 5 to 15 Hz, or accelerations of 3 “g” in the range of 15 to 500 Hz, whichever is smaller, for transmitter with aluminum housing; and with double amplitudes of 6.3 mm (0.25 in) in the range of 5 to 9 Hz, or accelerations of 1 “g” in the range of 9 to 500 Hz, whichever is smaller, for transmitter with 316 ss housing.

Supply Voltage Effect

The output changes less than 0.005% of span for each 1 V change within the specified supply voltage requirements.

Position Effect

Transmitter may be mounted in any position. Any zero effect caused by mounting position can be eliminated by rezeroing. There is no span effect.

PERFORMANCE SPECIFICATIONS (CONT.)

Static Pressure Effect

The zero and span shift for a 7 MPa, 1000 psi, change in static pressure is:

ZERO SHIFT

Span Code	Zero Shift-Static Pressure Effect
B	±0.07% of URL
C	±0.02% of URL

SPAN SHIFT

±0.1% of Reading

Ambient Temperature Effect

Total effect for a 28°C (50°F) change within Normal

Operating Condition limits is:

±(0.03% URL + 0.06% Span)

NOTE

Temperature effects due to pressure seal(s) are additive.

Switching and Indirect Lightning Transients

The transmitter can withstand a transient surge up to 2000 V common mode or 1000 V normal mode without permanent damage. The output shift is less than 1.0%. (Per ANSI/IEEE C62.41-1980 and IEC Std. 61000-4-5.)

PHYSICAL SPECIFICATIONS

Environmental Protection

The enclosure has the dusttight and weatherproof rating of IP66 as defined by IEC 60529, and provides the environmental and corrosion resistant protection rating of NEMA 4X.

Process Cover and Process Connector Gaskets

Glass filled ptfe (Chemloy)

Process Cover Bolts and Nuts

ASTM™ A193, Grade B7 high strength alloy steel for bolts, and ASTM A194 Grade 2H high strength alloy steel for nuts are standard. Options include NACE Class B7M bolting, 17-4 ss bolting, and 316 ss bolting.

Sensor Material (Process Wetted)

Industry Standard 316 L ss and Hastelloy C. Refer to TI 37-75b regarding the corrosion resistance of 316L ss and Hastelloy C when used with different processes.

Process Cover and Connector Material (Process Wetted)

316 ss or Hastelloy C

Sensor Fill Fluids

Silicone Oil or Fluorinert (FC-43)

Mounting Position

The transmitter may be mounted in any orientation.

Electronics Housing and Housing Covers

Housing has two compartments to separate the electronics from the field connections. The housing and covers are made from low copper, die-cast aluminum alloy with an epoxy finish, or from 316 ss. Buna-N O-ring seals are used to seal the threaded housing covers, housing neck, and terminal block.

Electronics Module

Printed wiring assemblies are conformally coated for moisture and dust protection.

PHYSICAL SPECIFICATIONS (CONT.)

Electrical Connections

Field wires enter through 1/2 NPT, PG 13.5, or M20 threaded entrances on either side of the electronics housing. Wires terminate under screw terminals and washers on terminal block in the field terminal compartment (Figure 24). Unused entrance is plugged to insure moisture and RFI/EMI protection.

Approximate Mass

3.5 kg (7.8 lb) – Aluminum Housing; and
without Process Connectors
4.2 kg (9.2 lb) – Aluminum Housing; and
with Process Connectors
Add 1.1 kg (2.4 lb) – with 316 ss Housing
Add 0.2 kg (0.4 lb) – with LCD Indicator Option
Add pressure seal(s) mass.

Dimensions

See Dimensions - Nominal section and DP 020-446.

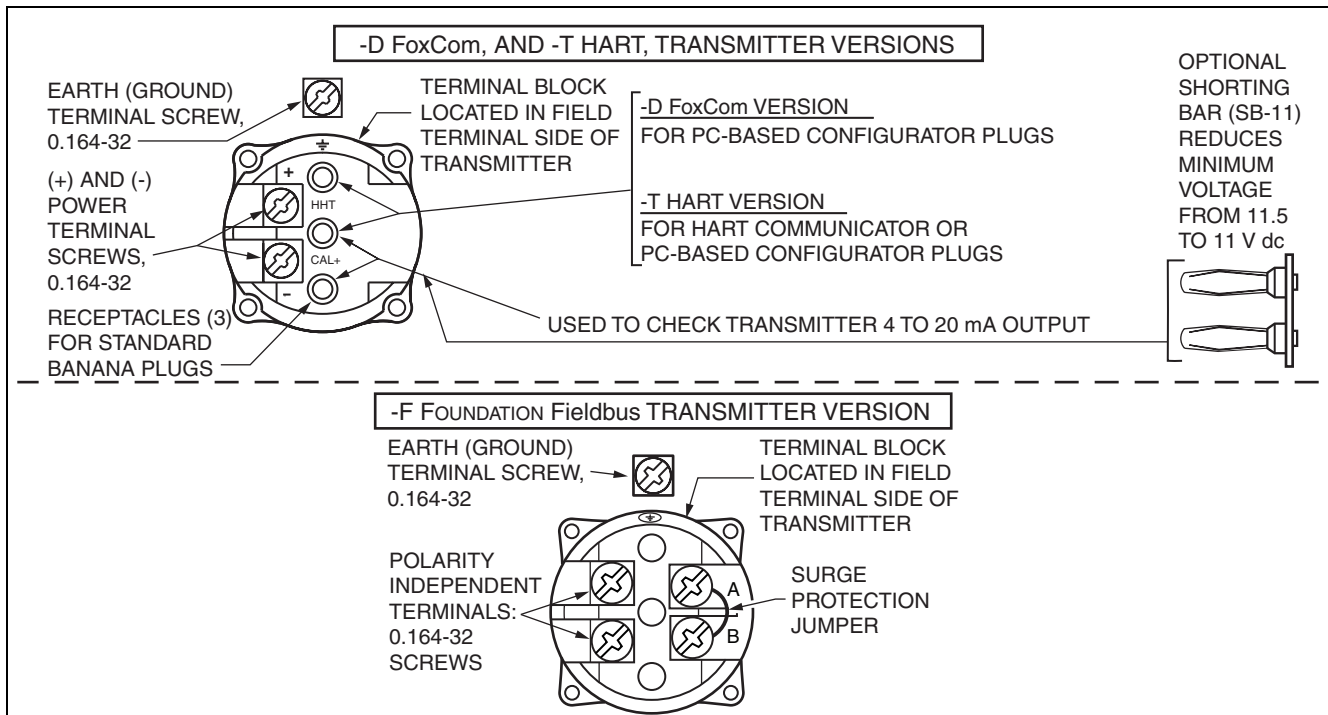


Figure 24. Field Terminals Compartment for FoxCom, HART, and Fieldbus

ELECTRICAL SAFETY SPECIFICATIONS

- 1 Transmitter has been designed to meet the Electrical Safety Specifications listed in the tables that follow. Contact Foxboro for information or status of testing laboratory approvals or certifications.
- 2 With Electrical Safety Design Code M, the user must permanently mark (check off on rectangular box on data plate) one type of protection only (ia and ib, d, or n). Do not change this mark once it has been applied.
- 3 When selecting Safety Design Code W (for HART only), the user must permanently mark (check off in rectangular block on data plate) intrinsically safe certifications for ATEX, CSA, or FM, as applicable. Do not change this mark once it has been applied.

Electronic Version -D (FoxCom)

Testing Laboratory, Types of Protection, and Area Classification	Application Conditions	Elec. Safety Design Code
ATEX intrinsically safe; II 1 GD, EEx ia IIC, Zone 0, or II 1/2 GD EEx ib IIC, Zone 0/Zone 1.	Temperature Class T4 at 80°C, T5 at 40°C, and T6 at 40°C maximum ambient.	E
ATEX flameproof; II 2 GD, EEx d IIC, Zone 1.	Temperature Class T6, 85°C; Ta = -40 to +75°C.	D
ATEX protection n; II 3 GD, EEx nL IIC, Zone 2.	Temperature Class T4 at 80°C, T5 at 70°C, and T6 at 40°C maximum ambient.	N
ATEX multiple certifications, ia & ib, d, and n. Refer to Codes E and N for details.	Applies to Codes D, E, and N. Note 2.	M
CSA intrinsically safe for Class I, Division 1, Groups A, B, C, and D, Class II, Division 1, Groups E, F, and G, and Class III, Division 1.	Connect per MI 020-427. Temperature Class T6 at 40°C, and T4A at 85°C maximum ambient.	C
CSA explosionproof for Class I, Division 1, Groups B, C, and D; dust-ignitionproof for Class II, Division 1, Groups E, F, and G; and Class III, Division 1.	Maximum Ambient Temperature 85°C.	C
CSA for Class I, Division 2, Groups A, B, C, and D; Class II, Division 2, Groups F and G; Class III, Division 2.	Temperature Class T6 at 40°C and T4A at 85°C maximum ambient.	C
CSA field device zone certified flameproof Ex d IIC. Also, all certifications of Code C above.	Maximum Ambient Temperature 85°C.	B
FM intrinsically safe for Class I, Division 1, Groups A, B, C, and D; Class II, Division 1, Groups E, F, and G; and Class III, Division 1.	Connect per MI 020-427. Temperature Class T4A at 40°C and T4 at 85°C maximum ambient.	F
FM explosionproof for Class I, Division 1, Groups B, C, and D; dust-ignitionproof for Class II, Division 1, Groups E, F, and G; and Class III, Division 1.	Temperature Class T6 at 80°C and T5 at 85°C maximum ambient.	F
FM nonincendive Class I, Division 2, Groups A, B, C, and D; Class II, Division 2, Groups F and G; and Class III, Division 2.	Temperature Class T4A at 40°C and T4 at 85°C maximum ambient.	F
FM field device zone certified flameproof AEx d IIC. Also, all certifications of Code F above.	Temperature Class T6 at 80°C, and T5 at 85°C maximum ambient.	G
IECEx flameproof, Ex d IIC.	T6, Ta = 80°C; T5, Ta = 85°C; Ambient Temperature -20 to +85°C.	V

ELECTRICAL SAFETY SPECIFICATIONS (CONT.)

Electronic Version -T (HART)

Testing Laboratory, Types of Protection, and Area Classification	Application Conditions	Elec. Safety Design Code
ATEX intrinsically safe; II 1 GD, EEx ia IIC, Zone 0, or II 1/2 GD EEx ib IIC, Zone 0/Zone 1.	Temperature Class T4 at 80°C, T5 at 40°C, and T6 at 40°C maximum ambient.	E
ATEX flameproof; II 2 GD, EEx d IIC, Zone 1.	Temperature Class T6, 85°C; Ta = -40 to +75°C.	D
ATEX protection n; II 3 GD, EEx nL IIC, Zone 2.	Temperature Class T4 at 80°C, T5 at 70°C, and T6 at 40°C maximum ambient.	N
ATEX multiple certifications, ia & ib, d, and n. Refer to Codes E and N for details.	Applies to Codes D, E, and N. Note 2.	M
CSA intrinsically safe for Class I, Division 1, Groups A, B, C, and D, Class II, Division 1, Groups E, F, and G, and Class III, Division 1.	Connect per MI 020-427. Temperature Class T4A at 40°C, and T3C at 85°C maximum ambient.	C
CSA zone certified intrinsically safe Ex ia IIC, and energy limited Ex nA II.	Temperature Class T4 at 40°C, and T3 at 85°C maximum ambient.	C
CSA explosionproof for Class I, Division 1, Groups B, C, and D; dust-ignitionproof for Class II, Division 1, Groups E, F, and G; and Class III, Division 1.	Maximum Ambient Temperature 85°C.	C
CSA for Class I, Division 2, Groups A, B, C, and D; Class II, Division 2, Groups F and G; Class III, Division 2.	Temperature Class T4A at 40°C and T3C at 85°C maximum ambient.	C
CSA field device zone certified flameproof Ex d IIC. Also, all certifications of Code C above.	Maximum Ambient Temperature 85°C.	B
FM intrinsically safe for Class I, Division 1, Groups A, B, C, and D; Class II, Division 1, Groups E, F, and G; and Class III, Division 1.	Connect per MI 020-427. Temperature Class T4A at 40°C and T4 at 85°C maximum ambient.	F
FM zone certified intrinsically safe AEx ia IIC.	Temperature Class T4 at 85°C maximum ambient.	F
FM explosionproof for Class I, Division 1, Groups B, C, and D; dust-ignitionproof for Class II, Division 1, Groups E, F, and G; and Class III, Division 1.	Temperature Class T6 at 80°C and T5 at 85°C maximum ambient.	F
FM nonincendive Class I, Division 2, Groups A, B, C, and D; Class II, Division 2, Groups F and G; and Class III, Division 2.	Temperature Class T4A at 40°C and T4 at 85°C maximum ambient.	F
FM field device zone certified flameproof AEx d IIC. Also, all certifications of Code F above.	Temperature Class T6 at 75°C maximum ambient.	G
IECEx FISCO field device intrinsically safe; Ex ia IIC, Zone 0.	Temperature Class T4; Ta = -40 to +80°C	T
IECEx flameproof, Ex d IIC.	T6, Ta = 80°C; T5, Ta = 85°C; Ambient Temperature -20 to +85°C.	V
IECEx FNICO field device protection n; Ex nL IIC, Zone 2.	Temperature Class T4; Ta = -40 to +80°C	U
SAA intrinsically safe, Ex ia IIC, Gas Group IIC, Zone 0.	Temperature Class T4 at 85°C maximum ambient.	H
SAA nonincendive, Ex n IIC, Gas Group IIC, Zone 2.	Temperature Class T6.	K

Table continued on next page

ELECTRICAL SAFETY SPECIFICATIONS (CONT.)

Electronic Version -T (HART) (Cont.)

Testing Laboratory, Types of Protection, and Area Classification	Application Conditions	Elec. Safety Design Code
<p>Multi-marked as follows: CSA intrinsically safe, Cl. I, Div. 1, Groups A, B, C, D; Class II, Div. 1, Groups E, F, G; Class III, Div. 1; also CSA zone certified intrinsically safe Ex ia IIC.</p> <p>FM intrinsically safe, Cl. I, Div. 1, Groups A, B, C, D; Class II, Div. 1, Groups E, F, G; Class III, Div. 1. Also FM zone certified intrinsically safe AEx ia IIC.</p> <p>ATEX intrinsically safe, II 1 GD, EEx ia IIC, Zone 0.</p>	<p>See application conditions for Code C intrinsically safe applications.</p> <p>See application conditions for Code F intrinsically safe applications.</p> <p>See application conditions for Code E intrinsically safe applications.</p>	<p>W</p>

ELECTRICAL SAFETY SPECIFICATIONS (CONT.)

Electronic Version -F (FOUNDATION Fieldbus)

Testing Laboratory, Types of Protection, and Area Classification	Application Conditions	Elec. Safety Design Code
ATEX FISCO field device intrinsically safe; II 1 G, EEx ia IIC, Zone 0.	Temperature Class T4, Ta = -40 to +80°C.	E
ATEX flameproof; II 2 GD, EEx d IIC, Zone 1.	Temperature Class T6, 85°C; Ta = -40 to +80°C.	D
ATEX FNICO field device protection n: II 3 G, EEx nL IIC, Zone 2.	Temperature Class T4, Ta = -40 to +80°C.	N
CSA FISCO field device intrinsically safe for Class I, Division 1, Groups A, B, C, and D; Class II, Division 1, Groups E, F, and G; and Class III, Division 1. Also, Zone certified intrinsically safe Ex ia IIC.	Temperature Class T4A at 40°C and T3C at 85°C maximum ambient.	C
CSA FNICO field device nonincendive for Class I, Division 2, Groups A, B, C, and D; Suitable for Class II, Division 2, Groups F and G; and Class III, Division 2.	Temperature Class T4A at 40°C and T3C at 85°C maximum ambient.	C
CSA explosionproof for Class I, Division 1, Groups B, C, and D; dust-ignitionproof for Class II, Division 1, Groups E, F, and G; and Class III, Division 1.	Maximum Ambient Temperature 85°C.	C
CSA field device zone certified flameproof Ex d IIC. Also, all certifications of Code C above.	Maximum Ambient Temperature 85°C.	B
FM FISCO field device intrinsically safe for Class I, Division 1, Groups A, B, C, and D; Class II, Division 1, Groups E, F, and G; and Class III, Division 1. Also, Zone certified intrinsically safe AEx ia IIC.	Temperature Class T4A at 40°C and T4 at 85°C maximum ambient.	F
FM FNICO field device nonincendive for Class I, Division 2, Groups A, B, C, and D; Suitable for Class II, Division 2, Groups F and G; and Class III, Division 2.	Temperature Class T4A at 40°C and T4 at 85°C maximum ambient.	F
FM explosionproof for Class I, Division 1, Groups B, C, and D; dust-ignitionproof for Class II, Division 1, Groups E, F, and G; and Class III, Division 1.	Temperature Class T6 at 80°C and T5 at 85°C maximum ambient.	F
FM field device zone certified flameproof AEx d IIC. Also, all certifications of Code F above.	Temperature Class T6 at 75°C maximum ambient.	G
IECEX FISCO field device intrinsically safe; Ex ia IIC, Zone 0.	Temperature Class T4; Ta = -40 to +80°C.	T
IECEX flameproof, Ex d IIC.	T6, Ta = 80°C; T5, Ta = 85°C; Ambient Temperature -20 to +85°C.	V
IECEX FNICO field device protection n: Ex nL IIC, Zone 2.	Temperature Class T4; Ta = -40 to +80°C.	U

MODEL CODE

Description	Model		
I/A Series, Multirange Differential Pressure Transmitter	IDP25		
Electronics Versions and Output Signal			
Intelligent; Digital FoxCom or 4 to 20 mA dc, Configurable (Version -D)	-D		
Intelligent; Digital HART and 4 to 20 mA dc (Version -T)	-T		
Intelligent; Digital, FOUNDATION Fieldbus (Version -F)	-F		
Structure Code - Select from one of the following six groups:			
1. Transmitter with Traditional Structure			
Process Cover	Sensor	Sensor Fill Fluid	
316 ss	316L ss	Silicone	22
316 ss	316L ss	Fluorinert	23
316 ss	Hastelloy C	Silicone	26
316 ss	Hastelloy C	Fluorinert	27
Hastelloy C	Hastelloy C	Silicone	46
Hastelloy C	Hastelloy C	Fluorinert	47
2. Transmitter with Low Profile Structure LP1 (Not available with Pressure Seals)			
Process Cover	Sensor	Sensor Fill Fluid	
316 ss	316L ss	Silicone	LL
316 ss	316L ss	Fluorinert	LM
316 ss	Hastelloy C	Silicone	LC
316 ss	Hastelloy C	Fluorinert	LD
Hastelloy C	Hastelloy C	Silicone	CC
Hastelloy C	Hastelloy C	Fluorinert	CD
3. Transmitter with Low Profile Structure LP2 (Not available with Pressure Seals)			
Process Cover	Sensor	Sensor Fill Fluid	
316 ss	316L ss	Silicone	52
316 ss	316L ss	Fluorinert	53
316 ss	Hastelloy C	Silicone	56
316 ss	Hastelloy C	Fluorinert	57
Hastelloy C	Hastelloy C	Silicone	66
Hastelloy C	Hastelloy C	Fluorinert	67
4. Transmitter prepared for Foxboro Model Coded Remote Mount Seals (a)(b)			
Transmitter prepared for Remote Seals on Both HI and LO Sides, Silicone Fill in Sensor			S1
Transmitter prepared for Remote Seals on Both HI and LO Sides, Fluorinert Fill in Sensor			S2
Transmitter prepared for Remote Seal HI Side, 1/2 NPT Connector LO Side, Silicone Fill in Sensor			S3
Transmitter prepared for Remote Seal HI Side, 1/2 NPT Connector LO Side, Fluorinert Fill in Sensor			S4
Transmitter prepared for Remote Seal LO Side, 1/2 NPT Connector HI Side, Silicone Fill in Sensor			S5
Transmitter prepared for Remote Seal LO Side, 1/2 NPT Connector HI Side, Fluorinert Fill in Sensor			S6
5. Transmitter Prepared for Foxboro Model Coded Direct Connect Seals (a)			
PSFLT, PSSCT, or PSSST Direct Connect Seal on HI Side; 1/2 NPT Process Connector LO Side; Silicone Fill			F1
PSFLT, PSSCT, or PSSST Direct Connect Seal on HI Side; 1/2 NPT Process Connector LO Side; Fluorinert Fill			F2
PSFLT, PSSCT, or PSSST Direct Connect Seal on HI Side; Remote Seal with Capillary LO Side; Silicone Fill			F3
PSFLT, PSSCT, or PSSST Direct Connect Seal on HI Side; Remote Seal with Capillary LO Side; Fluorinert Fill			F4
6. Transmitter Prepared for non-Foxboro Seals			
Remote Seals on High and Low Sides; Silicone Fill in Sensor			SA
Remote Seals on High and Low Sides; Inert Fill in Sensor			SB
Remote Seal on High Side and 1/2 NPT Connector on Low Side, Silicone Fill in Sensor			SC
Remote Seal on High Side and 1/2 NPT Connector on Low Side, Inert Fill in Sensor			SD
Remote Seal on Low Side and 1/2 NPT Connector on High Side, Silicone Fill in Sensor			SE
Remote Seal on Low Side and 1/2 NPT Connector on High Side, Inert Fill in Sensor			SF

Model Code continued on next page

MODEL CODE (CONT.)

Description (Cont.)	Model									
Span Limits										
<table border="0"> <tr> <td data-bbox="164 504 370 529">kPa</td> <td data-bbox="375 504 565 529">inH₂O</td> <td data-bbox="570 504 1328 529">mbar</td> </tr> <tr> <td data-bbox="164 529 370 554">0.12 and 50</td> <td data-bbox="375 529 565 554">0.5 and 200</td> <td data-bbox="570 529 1328 554">1.2 and 500</td> </tr> <tr> <td data-bbox="164 554 370 579">0.625 and 250</td> <td data-bbox="375 554 565 579">2.5 and 1000</td> <td data-bbox="570 554 1328 579">6.25 and 2500</td> </tr> </table>	kPa	inH ₂ O	mbar	0.12 and 50	0.5 and 200	1.2 and 500	0.625 and 250	2.5 and 1000	6.25 and 2500	B C
kPa	inH ₂ O	mbar								
0.12 and 50	0.5 and 200	1.2 and 500								
0.625 and 250	2.5 and 1000	6.25 and 2500								
Process Connector Type (Material Same as Process Cover Material) (c)										
See below:	0									
<ul style="list-style-type: none"> ▶ For d/p: No connectors; both covers tapped for 1/4 NPT (316 ss only, no side vents) 										
<ul style="list-style-type: none"> ▶ Flange Mount Hi Side: 1/2 NPT, 316 ss Process Connector on Lo Side (F1 and F2 only) 										
<ul style="list-style-type: none"> ▶ Flange Mount Hi Side: No connectors; both sides prepared for seals (F3 and F4 only) 										
<ul style="list-style-type: none"> ▶ Two Remote Seals: No connectors; both covers tapped for capillary connection (S1, S2, SA, SB only) 										
<ul style="list-style-type: none"> ▶ One Remote Seal: 1/2 NPT, 316 ss Process Connector on Side Opposite Seal (S3 to S6, SC to SF only) 										
1/4 NPT, Not with Structure Codes 46, 47, 66, 67, CC, or CD, or pressure seals	1									
1/2 NPT, Not with pressure seals	2									
Rc 1/4, Not with Structure Codes 46, 47, 66, 67, CC, or CD; or pressure seals	3									
Rc 1/2, Not with pressure seals	4									
1/2 Schedule 80 Welding Neck, Not with Structure Codes 46, 47, 66, 67, CC, or CD; or pressure seals	6									
Conduit Connection and Housing Material										
1/2 NPT Conduit Connection, Aluminum Housing	1									
PG 13.5 Conduit Connection, Aluminum Housing (With Electrical Safety Codes E, D, M, and N only)	2									
1/2 NPT Conduit Connection, 316 ss Housing	3									
PG 13.5 Conduit Connection, 316 ss Housing (With Electrical Safety Codes E, D, M, and N only)	4									
M20 Conduit Connection, Both Sides, Aluminum Housing (With Electrical Safety Codes E, D, M, and N only)	5									
M20 Conduit Connection, Both Sides, 316 ss Housing (With Electrical Safety Codes E, D, M, and N only)	6									
Electrical Safety (Also see Electrical Safety Specifications section)										
ATEX II 1 GD, EEx ia IIC, Zone 0; or II 1/2 GD, EEx ib IIC, Zone 0/Zone 1 (Electronic Versions -D and -T only)	E									
ATEX FISCO, II 1 G, EEx ia IIC, Zone 0 (Electronic Version -F only)	E									
ATEX II 2 GD, EEx d IIC, Zone 1 (r)	D									
ATEX II 3 GD, EEx nL IIC, Zone 2 (Electronic Versions -D and -T only)	N									
ATEX FNICO, II 3 G, EEx nL IIC, Zone 2 (Electronic Version -F only)	N									
ATEX Multiple Certifications (includes ATEX Codes E, D, and N) (Electronic Versions -D and -T only) (r)	M									
(See Electrical Safety Specifications section for <u>user marking</u>)										
CSA Certifications:	C									
Intrinsically Safe, Division 1 (Versions D & T only)										
Zone Certified Ex ia IIC and Ex nA II (Version T only)										
Explosionproof and dust-ignitionproof, Division 1										
Division 2, Class I, II, and III (Versions D & T only)										
FISCO, intrinsically safe, Division 1 (Version F only)										
FNICO, nonincendive, Division 2 (Version F only)										
Zone certified Ex ia IIC (Version F only)										
CSA Certification:	B									
Zone certified flameproof Ex d IIC. Also all certifications of Code C above										

Model Code continued on next page

MODEL CODE (CONT.)

<u>Description (Cont.)</u>	<u>Model</u>
<u>Electrical Safety (Also see Electrical Safety Specifications section) (Cont.)</u>	
FM Approvals: Intrinsically Safe, Division 1 (Versions D and T only) Zone approved AEx ia IIC (Versions F and T only) Explosionproof and dust-ignitionproof, Division 1 Nonincendive, Division 2, Class I, II, III (Versions D and T only) FISCO, intrinsically safe, Division 1 (Version F only) FNICO, nonincendive, Division 2 (Version F only)	F
FM Approvals: Zone approved flameproof AEx d IIC. Also all approvals of Code F above	G
IECEX FISCO, Ex ia IIC, Zone 0 (Versions -T and -F only)	T
IECEX, flameproof, Ex d IIC	V
IECEX FNICO, Ex nL IIC, Zone 2 (Versions -T and -F only)	U
SAA intrinsically safe, Ex ia IIC, Zone 0. (Version -T only)	H
SAA nonincendive, Ex n IIC, Zone 2. (Version -T only)	K
Multi-marked for ATEX, CSA, and FM Intrinsically Safe Applications (Version -T only) (w)	W
<u>Optional Selections</u>	
Refer to Optional Selections below.	
<u>Mounting Bracket Set (d)</u>	
Standard Style Painted Steel Bracket with Plated Steel Bolts	-M1
Standard Style Stainless Steel Bracket with Stainless Steel Bolts	-M2
Universal Style Stainless Steel Bracket with Stainless Steel Bolts (q)	-M3
<u>Digital Indicator with Pushbuttons</u>	
Digital Indicator, Pushbuttons, and Window Cover	-L1
<u>DIN 19213 Construction used with Process Connector Code 0 and 316 ss Covers with no side vents (e)</u>	
Single Ended Process Cover with M10, B7 Steel Bolting (f)(s)	-D1
Double Ended Process Cover with M10, B7 Steel Bolting; Blind Kidney Flange on Back (f)(g)(h)	-D2
Single Ended Process Cover with 7/16 in, B7 Steel Bolting; Standard Rating 25 MPa (3625 psi) (s)	-D3
Double Ended Process Cover with 7/16 in, B7 Steel Bolting; Blind Kidney Flange on Back (f)(g)(h)	-D4
Single Ended Process Cover with 7/16 in, 316 ss Bolting (f)(s)	-D5
Double Ended Process Cover with 7/16 in, 316 ss Bolting; Blind Kidney Flange on Back (f)(g)(h)	-D6
Single Ended Process Cover with 7/16 in, 17-4 ss Bolting; Standard Rating 25 MPa (3625 psi) (s)	-D7
Double Ended Process Cover with 7/16 in, 17-4 ss Bolting; Blind Kidney Flange on Back (f)(g)(h)	-D8
Single Ended Process Cover with 7/16 in, 17-4 ss Bolting; Rated 400 bar, 5800 psi, 40 MPa (s)	-D9
Not available with Span Codes A, D, or E; or Option Codes -V, -B1, -B2, -B3, or -Y	
<u>Cleaning and Preparation (e)</u>	
Unit Degreased - for Silicone Filled Sensors Only	-X1
(Not for Oxygen/Chlorine/Other Fluids that may react with Silicone)	
Cleaned and Prepared for Oxygen Service - for Fluorinert Filled Sensors Only	-X2
(Not Available with Carbon Steel Covers or with Silicone Filled Sensors)	
Cleaned and Prepared for Chlorine Service - for Fluorinert Filled Sensors Only (j)	-X3
(Not Available with Carbon Steel Covers or with Silicone Filled Sensors)	
<u>Bolting for Process Covers/Connectors (k)</u>	
316 ss Bolts and Nuts (Pressure Derated; Not Available with -Y Option) (f)	-B1
17-4 ss Bolts and Nuts (j)	-B2
B7M Bolts and Nuts (NACE) (f)	-B3

Model Code continued on next page

MODEL CODE (CONT.)

<u>Optional Selections (Cont.)</u>	Model
<u>Conduit Thread Adapters (Not available with Conduit Connection Codes 5 and 6)</u>	
Hawke-Type 1/2 NPT Cable Gland for use with Conduit Connection Codes 1 and 3 (l)	-A1
Plastic PG 13.5 Cable Gland for use with Conduit Connection Codes 2 and 4 (m)	-A2
M20 Conduit Thread Adapter for use with Conduit Connection Codes 1 and 3 (l)	-A3
Brass PG 13.5 Cable Gland (Trumpet-Shaped) for use w/Conduit Connection Codes 2 and 4 (m)	-A4
<u>Electronics Housing Features</u>	
External Zero Adjustment	-Z1
Custody Transfer Lock and Seal	-Z2
External Zero Adjustment and Custody Transfer Lock/Seal	-Z3
<u>Custom Factory Configuration</u>	
Digital Output (4 to 20 mA default if not selected); for Electronics Version -D only	-C1
Full Factory Configuration (Requires Configuration Form to be Filled Out)	-C2
<u>Tubing Connectors</u>	
316 ss, Connecting 6 mm Tubing to 1/4 NPT Process Connector	-E3
Only with Structure Codes 22 and 23; and Process Connector Codes 0 and 1	
316 ss, Connecting 12 mm Tubing to 1/2 NPT Process Connector	-E4
Only with Structure Codes 22 and 23; and Process Connector Code 2	
<u>Vent Screw in Process Cover</u>	
Supply Vent Screw in Side of Each Process Cover	-V
(Available only with Structure Codes 22 to 47)	
Omit Vent Screw in Side of Each Process Cover	-V1
(Available only with Structure Codes LL, LM, LC, LD, CC, and CD)	
<u>Adapter Plate, Bolts, and Gaskets for Direct Mount to Competitive Manifolds (t)</u>	
See inside pages for manifold compatibility.	
Adapter Set for MC Coplanar Manifolds, B7 Bolts (not with options -B1, -B2, or -B3)	-P1
Adapter Set for MC Coplanar Manifolds, 316 ss Bolts (requires -B1 option)	-P2
Adapter Set for MC Coplanar Manifolds, 17-4 ss Bolts (requires -B2 option)	-P3
Adapter Set for MC Coplanar Manifolds, B7M Bolts (requires -B3 option)	-P4
Adapter Set for MT3 Coplanar Manifolds, Traditional Flange, B7 Bolts (not with options -B1, -B2, or -B3)	-P5
Adapter Set for MT3 Coplanar Manifolds, Traditional Flange, 316 ss Bolts (requires -B1 option)	-P6
Adapter Set for MT3 Coplanar Manifolds, Traditional Flange, 17-4 ss Bolts (requires -B2 option)	-P7
Adapter Set for MT3 Coplanar Manifolds, Traditional Flange, B7M Bolts (requires -B3 option)	-P8
<u>Gaskets</u>	
Metal O-ring for pressure seals in vacuum service (n)	-G1
Available only with Structure Codes IDP25-.S. and IDP25-.F.	
<u>Instruction Books (Common MI, Brochure, and Full Documentation Set on CD-ROM is Standard)</u>	
Without Instruction Book and CD; only "Getting Started" brochure is supplied.	-K1

Model Code continued on next page

MODEL CODE (CONT.)

Optional Selections (Cont.)	Model
<p>Miscellaneous Optional Selections</p> <p>Low Temperature Operative Limit of Electronics Housing Extended Down to -50°C (-58°F) Not available with sensors and seals with fluorinert fill; and Not available with DIN Options -D2, -D4, -D6, and -D8</p> <p>Supplemental Customer Tag (Stainless Steel Tag wired onto Transmitter)</p> <p>Seventeen Year Warranty (v)</p> <p>Static Pressure Rating to 40 MPa (5800 psi); Not available with: - Options -B1, -B2, and -B3 (p) - Options -D1 to -D9 - Structure Codes S1 to S6, SA to SF, and F1 to F4</p> <p>Example: IDP25-T22C11F-M2L1Z1T</p>	<p>-J</p> <p>-T -W -Y</p>

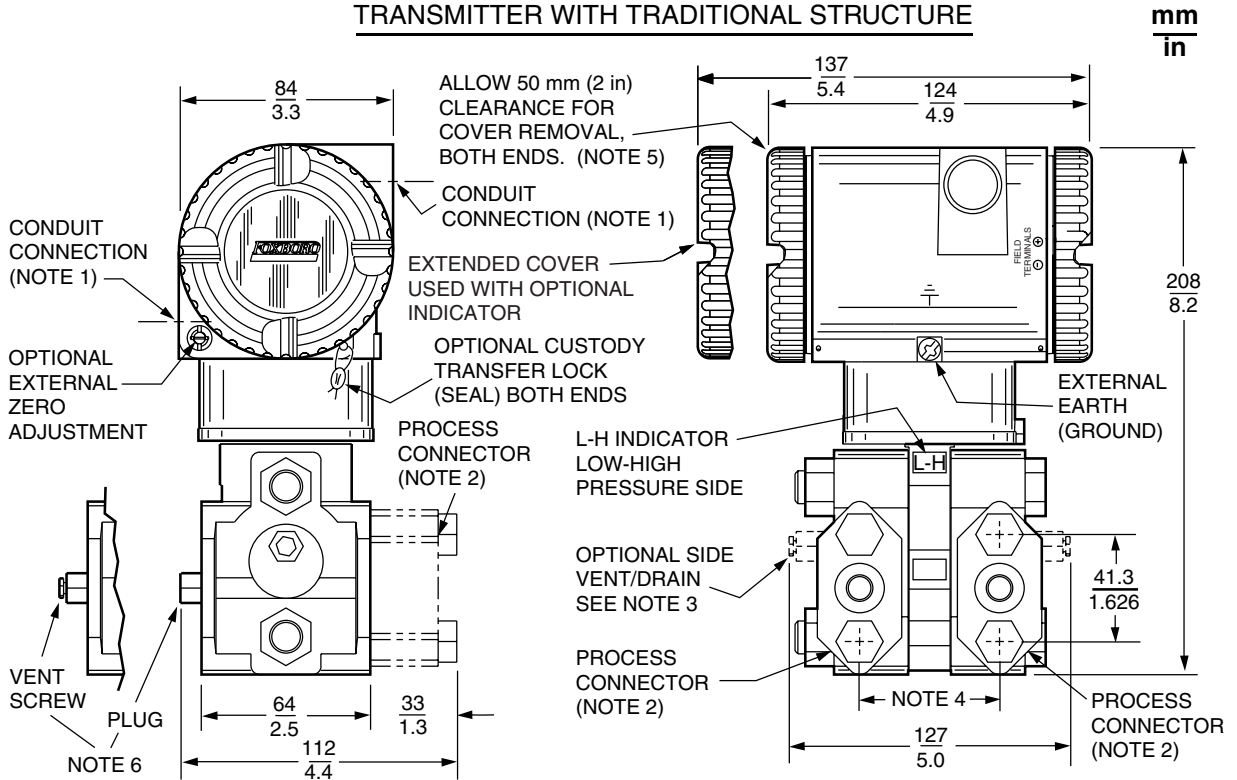
- (a) Both Transmitter and Pressure Seal Model Numbers are required. See PSS 2A-1Z11 A for the various pressure seal Model Codes.
- (b) Remote Seal Models that may be specified are PSFPS, PSFES, PSFAR, PSTAR, PSISR, PSSCR, and PSSSR.
- (c) Select Code "0" if a pressure seal is specified. Otherwise select Code 1 through 6.
- (d) Mounting sets not offered with direct connect (flange mount) seals.
- (e) Not available when Remote Mount or Direct Connect (Flanged Level) Seals are specified.
- (f) See Functional Specifications section for pressure deratings when some DIN 19213 options and Bolting Options -B1/-B3 are specified.
- (g) Temperature limits derated to 0 and 60°C (32 and 140°F). Also not available with Structure Codes 52 to 57, and LL, LM, LC, and LD.
- (h) Mounting Bracket Set options are not available.
- (i) When -X3 is specified, the standard bolting is replaced with 17-4 ss bolts and nuts. Therefore, there is no need to specify Option -B2 when selecting the Chlorine Service Option -X3.
- (k) Not available with DIN construction options. For stainless steel bolts with DIN construction, specify -D5 to -D9, as required.
- (l) Available with Electric Safety Codes E, D, M, and N only.
- (m) Available with Electrical Safety Code E only.
- (n) -G1 is a required option when pressure seal will be used in vacuum applications. This option substitutes vacuum service metal gasket for standard ptfе process cover gasket.
- (p) -B2 Bolt Option (17-4 ss) is not available with the -Y option because 17-4 ss bolts and nuts are supplied as part of the -Y option.
- (q) Bracket Set Option -M3 is not available with Structure Codes LL, LM, LC, LD, CC, or DD.
- (r) A cover lock is provided as standard with Electrical Safety Codes D, B, G, and M.
- (s) Not available with Low Profile Structure Codes 52-57.
- (t) Adapter plate options -P1 to -P8 are not available with:
 - Pressure Seal Structure Codes.
 - Process Connector Codes 1-7.
 - DIN Construction Options -D1, -D2, -D4, -D5, -D6, -D7, -D8, -D9.
- (v) Standard Warranty is five years.
- (w) For multi-marking details, see Electrical Safety Specifications section.

SUGGESTED RFQ SPECIFICATIONS

The manufacturer shall provide multirange field-mounted differential pressure transmitters featuring FoxCom, HART, or FOUNDATION Fieldbus Communication Protocol. They shall provide remote digital communications capability for measuring differential pressure, and transmit a digital, or 4 to 20 mA dc (FoxCom and HART only), output signal for use in a standard two-wire dc supply voltage system. These transmitters shall also be provided (as required) with direct connect seals, or remote mount, capillary connected seals. The specifications for these transmitters are as follows:

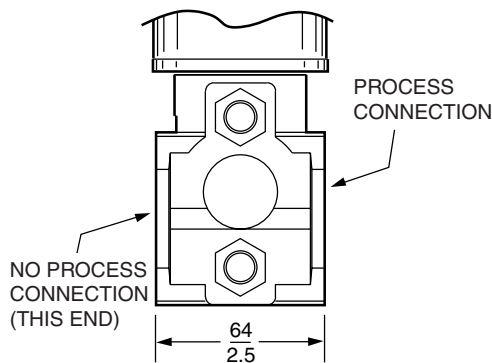
Communication Protocol:	FoxCom: Digital or 4 to 20 mA dc output signal (configurable) HART: Digital and 4 to 20 mA dc output signal FOUNDATION Fieldbus: Digital output signal
Remote Communications:	Must not interfere with output
Span Turndown Ratio:	400:1
Accuracy:	±0.050% of calibrated span for spans ≥1.25% of URL.
Damping:	Settable for a range of none to 32 seconds
RFI Protection:	0.1% error between 27 and 1000 MHz at 30 V/m field intensity
Proof Pressure:	14 500 psi for standard transmitter
Span Limits:	0.5 and 200 inH ₂ O, or 2.5 and 1000 inH ₂ O, as specified; or SI and metric equivalents.
Mounting:	On process piping, manifold, or optional mounting bracket
Input Connection:	With process connectors to accept 1/4 NPT, 1/2 NPT, Rc 1/4 or Rc 1/2, 1/2 Schedule 80 welding neck; or prepared for a direct connect seal; or prepared for a single remote capillary connected seal, or two remote capillary connected seals.
Electronics Housing:	316 ss, or aluminum housing with epoxy finish
Modular Electronics:	Easily replaceable modular electronics in a NEMA 4X (IEC IP66) housing sealed with O-rings for protection against moisture or other contaminants. Optional integral LCD Indicator with on-board configuration pushbuttons.
Process Cover:	Traditional Structures: 316 ss or Hastelloy C Low Profile Structures: 316 ss or Hastelloy C
Sensor Materials:	Traditional Structures: 316L ss or Hastelloy C Low Profile Structures: 316L ss or Hastelloy C
Approvals and Certifications:	Must be suitable for Division 1 hazardous locations, and conform to all applicable European Union Directives; also versions available to meet Agency flameproof and zone requirements. Also FOUNDATION Fieldbus versions must be FISCO and FNICO compliant.
Approximate Mass: (with Process Connectors)	4.2 kg (9.2 lb), with Traditional Structures; Add 0.1 kg (0.2 lb) with Low Profile Structure LP1; Add 0.8 kg (1.8 lb) with Low Profile Structure LP2; Add 1.1 kg (2.4 lb) with 316 ss housing; Add 0.2 kg (0.4 lb) with optional LCD indicator. Pressure seal(s) mass is additive.
Model Code:	I/A Series Intelligent Multirange IDP25 d/p Cell Transmitter with either FoxCom, HART, or FOUNDATION Fieldbus Communication Protocol, or equivalent, with or without pressure seals, or equivalent

DIMENSIONS - NOMINAL
TRANSMITTER WITH TRADITIONAL STRUCTURE

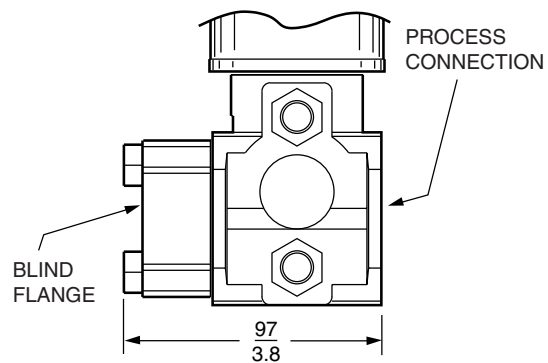


NOTES:

1. CONDUIT CONNECTION 1/2 NPT OR PG 13.5 OR M20, BOTH SIDES: PLUG UNUSED CONNECTION WITH METAL PLUG (SUPPLIED).
2. PROCESS CONNECTORS MAY BE REMOVED AND CONNECTIONS MADE DIRECTLY TO PROCESS COVER USING 1/4 NPT INTERNAL THREAD IN PROCESS COVER.
3. PROCESS COVER CAN BE INVERTED MAKING OPTIONAL SIDE VENTS OR SIDE DRAINS
4. PROCESS CONNECTORS CAN BE INVERTED TO GIVE EITHER 51, 54, OR 57 mm (2.0, 2.125, OR 2.25 in) CENTER-TO-CENTER DISTANCE BETWEEN HIGH AND LOW PRESSURE CONNECTIONS.
5. TOPWORKS CAN BE ROTATED TO ANY POSITION WITHIN ONE TURN COUNTERCLOCKWISE OF THE FULLY TIGHTENED POSITION.
6. PROCESS COVER END PLUGS ARE SUBSTITUTED FOR VENT SCREWS WHEN OPTIONAL SIDE VENTS (NOTE 3) ARE SPECIFIED.



OPTIONAL DIN CONSTRUCTION
SINGLE ENDED PROCESS COVER
OPTIONS -D1, -D3, -D5, -D7, -D9

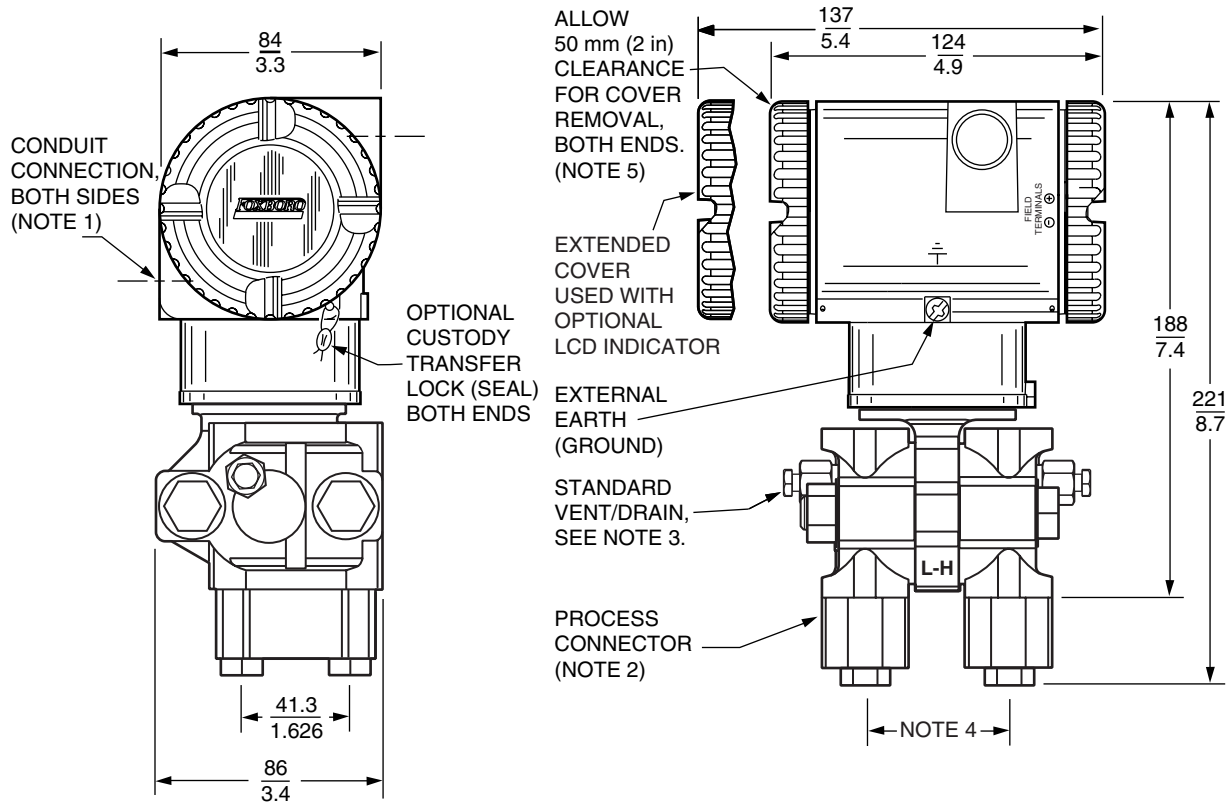


OPTIONAL DIN CONSTRUCTION
DOUBLE ENDED PROCESS COVER
OPTIONS -D2, -D4, -D6, AND -D8

DIMENSIONS - NOMINAL (CONT.)

$\frac{\text{mm}}{\text{in}}$

TRANSMITTER WITH LOW PROFILE STRUCTURE LP1



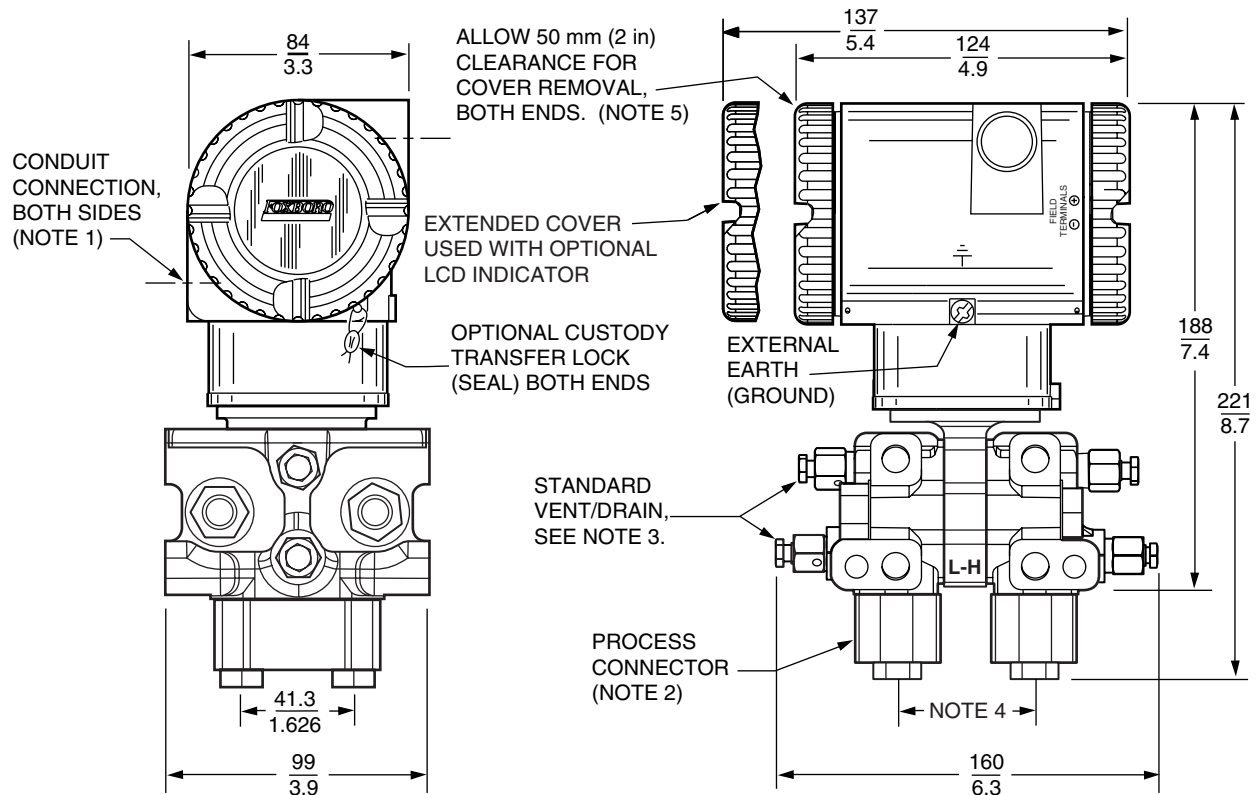
NOTES:

1. CONDUIT CONNECTION 1/2 NPT, PG 13.5, OR M20, BOTH SIDES: PLUG UNUSED CONNECTION WITH METAL PLUG (SUPPLIED).
2. PROCESS CONNECTORS MAY BE REMOVED AND TRANSMITTER MOUNTED DIRECTLY ON A MANIFOLD, OR CONNECTIONS MADE DIRECTLY TO PROCESS COVER USING 1/4 NPT INTERNAL THREAD IN PROCESS COVER.
3. THE TRANSMITTER'S LOW PROFILE STRUCTURE LP1 IS SHOWN IN THE VERTICALLY UPRIGHT POSITION. NOTE THE LOCATION OF THE STANDARD VENT/DRAIN SCREW. IN THIS CONFIGURATION THE TRANSMITTER CAN BE VENTED OR IS SELF-DRAINING. ALSO RECOMMENDED IS A HORIZONTAL INSTALLATION WHERE THE INSTALLED ORIENTATION CAN BE SET TO ALLOW FOR VENTING OR DRAINING.
4. PROCESS CONNECTORS CAN BE INVERTED TO GIVE EITHER 51, 54, OR 57 mm (2.0, 2.125, OR 2.25 in) CENTER-TO-CENTER DISTANCE BETWEEN HIGH AND LOW PRESSURE CONNECTIONS.
5. TOPWORKS CAN BE ROTATED TO ANY POSITION WITHIN ONE TURN COUNTERCLOCKWISE OF THE FULLY TIGHTENED POSITION.

DIMENSIONS - NOMINAL (CONT.)

$$\frac{\text{mm}}{\text{in}}$$

TRANSMITTER WITH LOW PROFILE STRUCTURE LP2



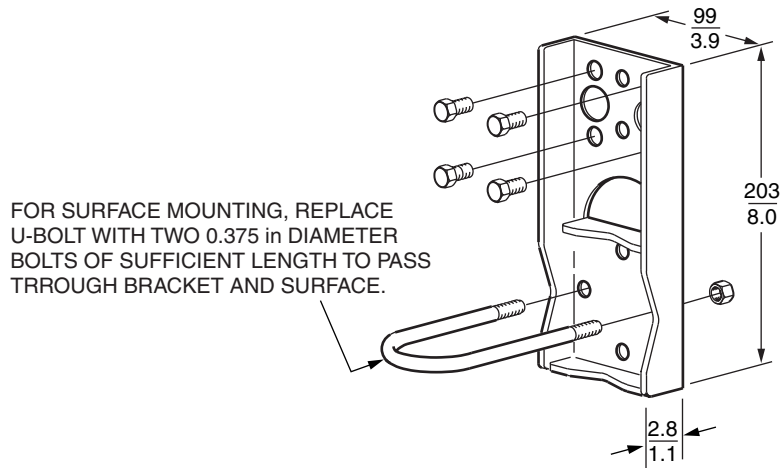
NOTES:

1. CONDUIT CONNECTION 1/2 NPT, PG 13.5, OR M20, BOTH SIDES: PLUG UNUSED CONNECTION WITH METAL PLUG (SUPPLIED).
2. PROCESS CONNECTORS MAY BE REMOVED AND TRANSMITTER MOUNTED DIRECTLY ON A MANIFOLD, OR CONNECTIONS MADE DIRECTLY TO PROCESS COVER USING 1/4 NPT INTERNAL THREAD IN PROCESS COVER.
3. THE TRANSMITTER'S LOW PROFILE STRUCTURE LP2 IS SHOWN IN THE RECOMMENDED VERTICAL UPRIGHT POSITION. NOTE THE STANDARD VENT OR DRAIN SCREWS. HORIZONTAL INSTALLATIONS ARE NOT RECOMMENDED.
4. PROCESS CONNECTORS CAN BE INVERTED TO GIVE EITHER 51, 54, OR 57 mm (2.0, 2.125, OR 2.25 in) CENTER-TO-CENTER DISTANCE BETWEEN HIGH AND LOW PRESSURE CONNECTIONS.
5. TOPWORKS CAN BE ROTATED TO ANY POSITION WITHIN ONE TURN COUNTERCLOCKWISE OF THE FULLY TIGHTENED POSITION.

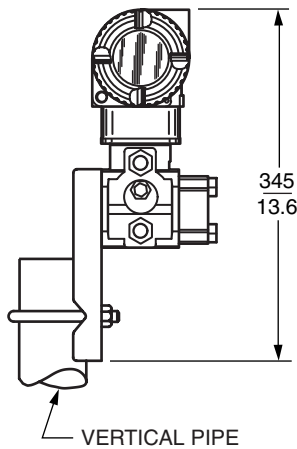
DIMENSIONS - NOMINAL (CONT.)

$\frac{\text{mm}}{\text{in}}$

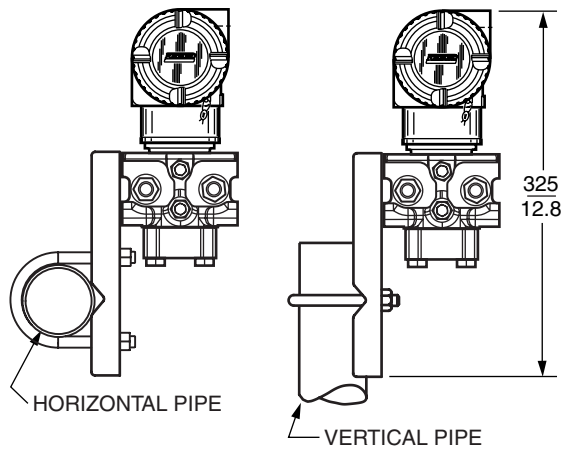
TRANSMITTER WITH STANDARD STYLE MOUNTING BRACKET KIT
OPTIONS -M1 AND -M2



TRANSMITTER
WITH
TRADITIONAL
STRUCTURE



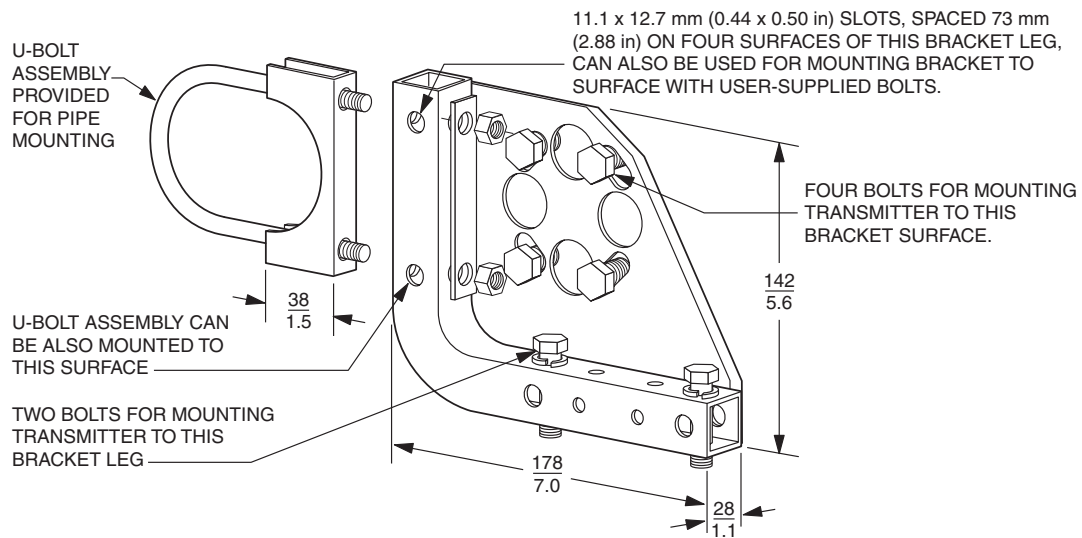
TRANSMITTER
WITH
LOW PROFILE
STRUCTURE LP2



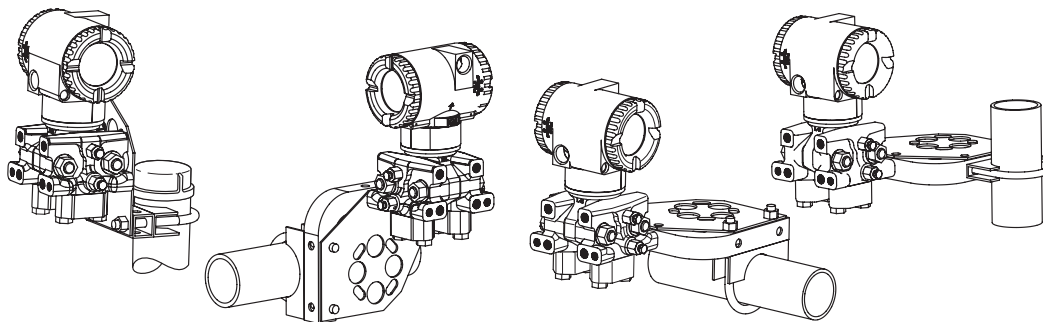
DIMENSIONS - NOMINAL (CONT.)

**TRANSMITTER WITH UNIVERSAL STYLE MOUNTING BRACKET KIT
OPTION -M3**

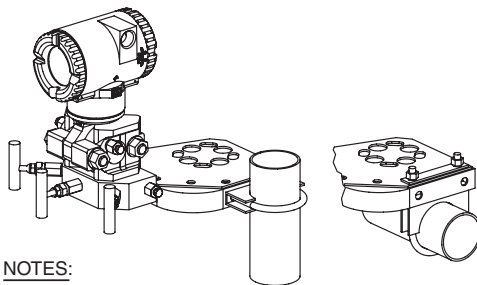
**mm
in**



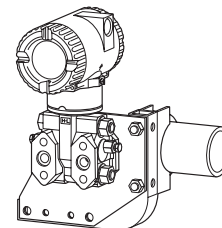
TYPICAL PIPE MOUNTING WITH LOW PROFILE STRUCTURE LP2



**TYPICAL PIPE MOUNTING
LOW PROFILE STRUCTURE LP1**



**TYPICAL PIPE MOUNTING
WITH TRADITIONAL STRUCTURE**



NOTES:

1. FOR SURFACE MOUNTING CONFIGURATIONS, USE THE U-BOLT MOUNTING HOLES FOR ATTACHING THE BRACKET TO A SURFACE RATHER THAN TO THE U-BOLT ASSEMBLY. SURFACE MOUNTING BOLTS FOR ATTACHING THE BRACKET TO A SURFACE ARE USER SUPPLIED.
2. REFER TO DIMENSIONAL PRINT DP 020-446 FOR FURTHER IDP25 MOUNTING CONFIGURATIONS, INCLUDING MOUNTING WITH -P SERIES OPTIONAL MOUNTING PLATES.

ORDERING INSTRUCTIONS

1. Model Number(s) as follows:
 - Transmitter only if pressure seals are not selected
 - Both transmitter and pressure seal if pressure seal is selected.
 See PSS 2A-1Z11 A.
2. Calibrated Pressure Range (using Allowable Pressure Units from the table below).
3. Configuration Data Form when Factory Calibration Option -C2 is specified.
4. Options and Accessories not in Model Code (see PSS 2A-1Z9 E).
5. User Tag Data - Data Plate; 32 characters maximum. For additional tag data, specify Optional Supplemental Tag -T.
6. User Tag Data - Software (Database):
 - ▶ FoxCom, -D; 12 characters maximum
 - ▶ HART, -T; 8 characters maximum
 - ▶ Fieldbus, -F; 32 characters maximum.

inH ₂ O	cmH ₂ O (a)	cmHg (a)	kPa	mbar	kg/cm ²
ftH ₂ O	inHg	dy/cm ² (a)	MPa	bar	psia
mmH ₂ O	mmHg	Pa	torr	g/cm ²	atm

(a) Available with FoxCom Electronics (-D) only.

OTHER M&I PRODUCTS

Foxboro provides a broad range of measurement and instrument products, including solutions for pressure, flow, analytical, positioners, temperature, controlling and recording. For a listing of these offerings, visit the Foxboro web site at:

www.ips.invensys.com



IPS Corporate Headquarters
5601 Granite Parkway Suite 1000
Plano, TX 75024
www.ips.invensys.com

Foxboro Global Client Support
Inside U.S.: 1-866-746-6477
Outside U.S.: 1-508-549-2424 or contact
your local Foxboro representative.
Facsimile: 1-508-549-4999

Invensys, Foxboro, d/p Cell, Fox, FoxCom, I/A Series, and IPS Logo are trademarks of Invensys plc, its subsidiaries, and affiliates. All other brand names may be trademarks of their respective owners.

Copyright 2001-2009 Invensys Systems, Inc.
All rights reserved

MB 010

Printed in U.S.A.

1209