

SRD998 Intelligent Positioner with HART Communication



The intelligent positioner SRD998 is designed to operate pneumatic valve actuators and can be operated from control systems (e.g. the Foxboro I/A Series System), controllers or PC-based configuration- and operation tools such as the FDT/DTMs VALcare™. The positioner is available with HART 7 communication protocol. The extra-large multi-lingual full text graphical-LCD, in conjunction with the rotary selector, allows a comfortable and easy local configuration and operation. For installations in contact with explosive atmospheres, certificates are available.

MAIN FEATURES

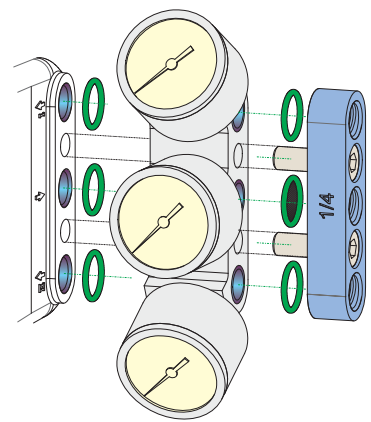
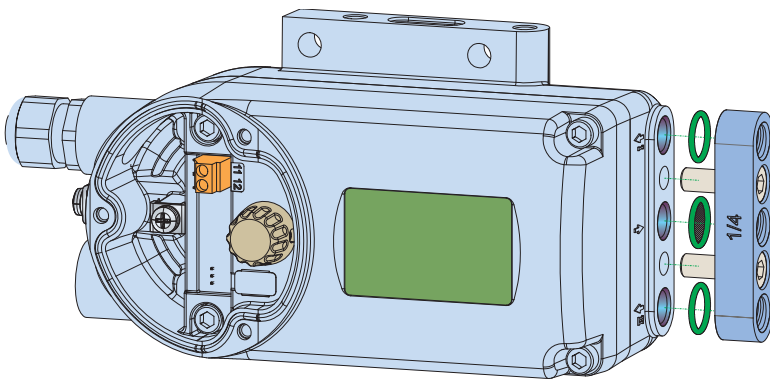
Intelligent

- Auto-start with self-calibration
- Self diagnostics, status- and diagnostic messages
- Easy local operation with the rotary selector
- Extra-large Multi-Lingual full text graphical LCD
- VALcare™ DTM with comprehensive data for fast configuration
- With HART 7 communication
- Stroke 8 to 260 mm (0.3 to 10.2 in) with standard lever; larger stroke with special lever
- Angle range up to 95 ° angle
- Mounting onto any linear or rotary actuator
- Supply air pressure up to 6 bar (90 psig)
- Single or double-acting
- Protection class IP 66 and NEMA 4X
- Explosion protection: Intrinsic Safety according to ATEX / IECEx, INMETRO, NEPSI, ...

Contents	Page
Common technical data for all basic devices	3
• Operation, Diagnostics, Service plug	6
• Electrical classification	9
Extended technical data for basic devices:	
• With communication HART	10

Contents	Page
FUNCTIONAL DESIGNATIONS	11
MODEL CODES SRD998	12
ACCESSORIES for mounting to the positioner:	
• Booster • Manifolds • Gauge manifolds	14
ATTACHMENT to actuators	17
DIMENSIONS	20

DESIGN



Supply

Supply air pressure 1.4 to 6 bar (20 to 87 psig)

Output to actuator 0 to ~100 % of supply air pressure (up to 5.5 bar at 6 bar supply air pressure)

Air supply according to ISO 8573-1
 - Solid particle size and density class 2
 - Oil rate class 3
 - Pressure dew point 10 K under ambient temperature

The use of **filter regulator** for air supply of positioner is strongly recommended. It reduces the air pressure to actuator's maximum pressure and keeps it constant.

For standard pneumatic flow we recommend the **FRS02** (Aluminum) or **FRS03** (SS) filter regulator.

Travel range

Stroke range 8 to 260 mm (0.3 to 10.2 in)
 with standard feedback levers; special levers on request

Rotation angle range up to 95 °angle
 without mechanical stop

Response characteristic ¹⁾²⁾

Sensitivity < 0.1 % of travel span Non-linearity (terminal based adjustment) < 0.6 % of travel span
 Hysteresis < 0.3 % of travel span
 Supply air dependence < 0.1 % / 1 bar (15 psi)
 Temperature effect < 0.3 % / 10 K
 Mechanical vibration effect acc. IEC 60068-2-6 (2007) for 10 to 500 Hz up to 2 g .

For Pneumatcs B0S < 0.25% up to 80 Hz and 1 g
 < 0.25% up to 70 Hz and 2 g

For Pneumatcs C0S < 0.25% up to 400 Hz and 1 g
 < 0.25% up to 70 Hz and 2 g

In case of high vibrations we recommend using remote mounting solution.

Pneumatic Performance - Air flow

\ Air flow at Air Input/output :	1.4 bar	3 bar	6 bar			
Pneumatic Code B0S (single acting - Standard Flow)						
to pressurize actuator	4000	7000	14000			NI/h
to vent actuator	2700	5000	10000			NI/h
Pneumatic Code C0S (double acting - Standard Flow)						
to pressurize actuator	3500	5000	10000			NI/h
to vent actuator	2500	3750	7500			NI/h

Pneumatic Performance - Air consumption ³⁾ [NI/h]

Air consumption at steady state:		1.4 bar	3 bar	6 bar			
Pneumatic Code:	Input signal						
B0S (single acting - Standard Flow)	0 %	<100	<100	<100			NI/h
B0S (single acting - Standard Flow)	100 %	175	250	400			
C0S (double acting - Standard Flow)	0 %	175	250	400			NI/h
C0S (double acting - Standard Flow)	50 %	215	335	570			NI/h
C0S (double acting - Standard Flow)	100 %	175	250	400			NI/h

1) Data measured according to VDI/DE 2177 and IEC 61514-2

2) With 90° angle, rotary actuator

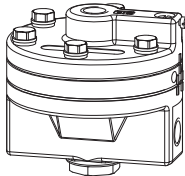
3) Measured according ANSI / ISA-75.13.01-2013

BOOSTERS for increased air flow

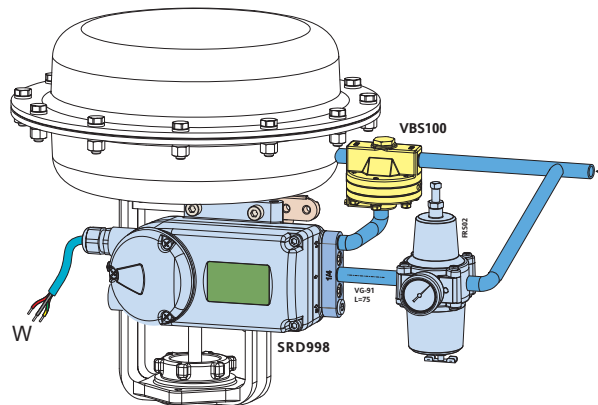
Volume Booster Series (to order as accessory) For large actuators or to reduce action time, a volume booster may be necessary.

VBS100 / VBS110

Volume boosters with Cv1 and pneumatic connection 1/4", for remote mounting
 VBS100 in Aluminum, VBS110 in Stainless Steel 316



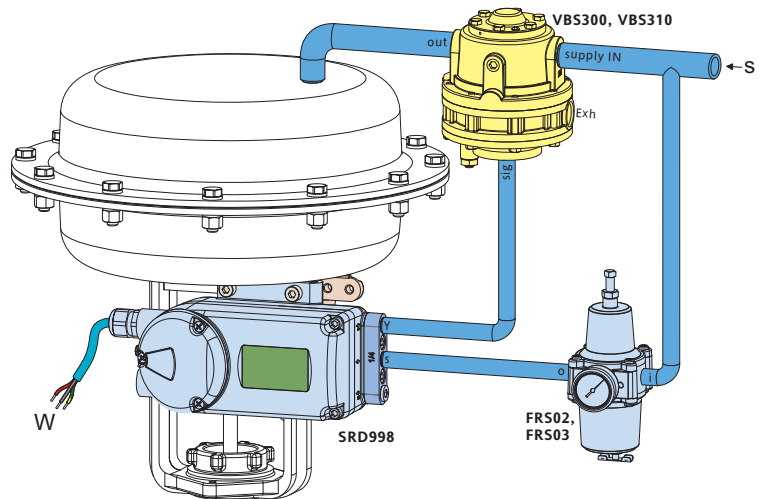
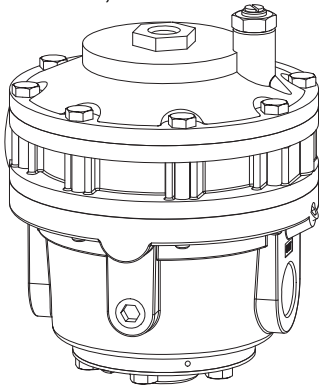
Examples for mounting



For more information please consult PSS EVE0601.

VBS300 / VBS310

Volume boosters with Cv 7 and pneumatic connection 1", for remote mounting
 VBS300 in Aluminum, VBS310 in Stainless Steel 316



For more information please consult PSS EVE0603.

FUNCTIONAL SPECIFICATIONS

Features

Automatic start-up..... (Autostart functionality)
Automatic determination of the mechanical end positions of the valve (initial value and final value), IP motor parameters, direction of action of the spring and control parameters. The control parameters are optimized dynamically during this routine.
This procedure makes a perfect adjustment and optimization to the actuator possible without additional manual settings! Several autostart modes are available (details see on next pages).

Operation and Configuration

The local LCD enable a fast and easy configuration as well as clear diagnostic messages.

Local..... with local rotary selector
Display..... multi-lingual graphic LCD

The positioner contains following menu languages:

- English • German • French • Chinese
- Portuguese • Spanish ...

Manual local and remote settings:

Actuator mode	linear or rotary actuator
Linear valve	left or right mounted
Rotary actuator	opening clockwise or counter-clockwise
Valve characteristic	linear, equal percentage, invers-equal percentage or custom (22 points)
Valve action	opens or closes with increasing setpoint
Split range	free upper and lower values
Travel limits	free upper and lower values
Cutoffs	free upper and lower values
Stroke range.....	configurable
Temperature unit.....	configurable (°C or °F)
Autostart.....	- Endpoints - Standard Autostart - Enhanced Autostart - Smooth response - Fast response
Control parameters	Determined during Autostart.
Working range	freely adjustable (for indication on LCD)
Manual adjustment of	P-gain, I-time, D-time, T63-time, and dead band
Manual operation.....	Manual input of setpoint to drive the valve in steps of 12.5 % or 1 %
Pneumatic test	Function to test the pneumatic output
LCD orientation	standard, and upside down

Software supported configurations:

- By means of Hand Held Terminal (HART)
- PC by means of VALcare DTM Software
- I/A Series System, Foxboro Evo and other DCSs

Failure handling

- In case of Single Acting, Safety position at
- Air supply failure pressure y1 = zero
 - Electric power failure pressure y1 = zero
 - Failure of electronics pressure y1 = zero
- In case of Double Acting or spool valve amplifier, safety position at
- Air supply failure..... pressure y1 = zero;
y2 = zero
 - Electric power failure pressure y1 = zero;
y2 = full air supply pressure
 - Failure of electronics pressure y1 = zero;
y2 = full air supply pressure

PHYSICAL SPECIFICATIONS (common data for all versions)

Mounting

Attachment to stroke actuators

- for casting yoke
acc. to IEC 534-6 (NAMUR) with attachment kit EBZG-H
or -H1

- for pillar yoke
acc. to IEC 534-6 (NAMUR) with attachment kit EBZG-K
or -K1

Stroke range with feedback lever:

- standard (EBZG-A) 8 to 70 mm / 0.31 to 2.76 in
- extended (EBZG-B) 60 to 120 mm / 2.36 to 4.72 in
- extended (EBZG-A1) 110 to 260 mm / 4.33 to 10.24 in
Larger stroke ranges can be realized with special levers.

Attachment to rotary actuators acc. to VDI/VDE 3845

with attachment kit EBZG-R
- Further attachment kits see Model Codes page 15/16
- Mounting orientation see attachment dimensions starting from page 17

Materials

Housing and covers Aluminum Alloy No. 230
(GD-ALSi12) Polyester Powder coated
Sealings between covers silicone elastomer and
silicone core with Ag/Cu particles
LCD Window Polycarbonate, U.V.
stabilized
External Screws Stainless Steel V2A 1.4301
Motherboard Coated with protective resin
All moving parts of feedback
system (e.g. shaft) 1.4306 / 1.4571 / 1.4104
Attachment kits V4A 1.4401 or
(depending upon version) Aluminum Alloy No. 230
(GD-ALSi12) finished with DD varnish
Mounting bracket Aluminum Alloy No. 230
(GD-ALSi12)
Pneumatic diaphragms VMQ, PVMQ (Silicone
elastomer, suitable for use in the paint industry)
(depending upon version)

Weight

With pneumatic B0S approx. 2.1 kg (4.7 lbs)
COS approx. 2.3 kg (5.1 lbs)

Pneumatic connection

NAMUR mounting G 1/4 or 1/4-18 NPT
via manifold

Electrical Connection

Line entry 1 cable gland M20 x1.5,
1/2-14 NPT with Adapter AD-)
Cable diameter 6 to 12 mm (0.24 to 0.47 in)
Screw terminals 2 terminals for input
Wire cross section 0.3 to 2.5 mm² (AWG 22-14)
max torque 0.6 Nm

Ambient conditions

Operating conditions acc. to IEC 654-1

The device can be operated at a class Dx location.

Ambient temperature

Operation ¹⁾ -40 to 85 °C (-40 to 185 °F)

Transport and storage -40 to 85 °C (-40 to 185 °F)

If the device is exposed to sunlight and the temperature may rise above 80 °C / 176 °F, we recommend a sun shade.

Storage conditions

acc. to IEC 60721-3-1 1K5; 1B1; 1C2; 1S3; 1M2

Indicators

LCD (visible) ²⁾ -25 to 70 °C (-13 to 158 °F)

Relative humidity up to 100 %

Protection class

acc. to IEC 60529 IP 66

acc. to NEMA Type 4X

Electromagnetic compatibility EMC

Operating conditions industrial environment

Immunity according to

EN 61326 fulfilled

IEC 61326 fulfilled

EN 61000-6-2 fulfilled

Emission according to

EN 61326

Class A and Class B fulfilled

EN 61000-6-4 fulfilled

EN 55011 Group 1,

Class A and Class B fulfilled

NAMUR recommendation

EMV NE21 fulfilled

SAFETY REQUIREMENTS

CE label

Electromagnetic

Compatibility 2014 / 30 / EC

Low-voltage regulation not applicable

See also Declaration of Conformity.

Safety

According to EN 61010-1

(or IEC 1010-1) Safety class III

Overvoltage Category I

External fuses Limitation of power supplies

for fire protection must be observed acc. to

EN 61010-1, appendix F (or IEC 1010-1).

1) Details see Certificates of Conformity.

2) Below -20 °C the LCD reacts only slowly;
above +70 °C the background becomes dark

3) Under service as directed

Electrical classification ^{1) 2)}

See Certificates of Conformity EX EVE0108 A

Intrinsically Safe according to ATEX / IEC Ex

Code A1, A2, or A3

A1 = II 2 G Ex ia IIC T4/T6 Gb / II 1 D Ex ia IIIIC T100 °C Da
or

A2 = II 2 G Ex ib IIC T4/T6 Gb / II 2 D Ex ib IIIIC T100 °C Db
or

A3 = II 3 G Ex ic IIC T4/T6 Gc / II 3 D Ex ic IIIIC T100 °C Dc

For use in hazardous areas in certified safe circuits with the following maximum values:

Pi	Ui	Ii	T4	T6
900 mW	30 V	130 mA	-40°C to 80°C	
660 mW	28.1 V	130 mA	-40°C to 80°C	-40°C to 44°C
630 mW	25.7 V	130 mA	-40°C to 80°C	-40°C to 46°C
590 mW	25.3 V	130 mA	-40°C to 80°C	-40°C to 48°C
510 mW	26 V	130 mA	-40°C to 80°C	-40°C to 52°C

$L_i = < 10 \mu\text{H}$

$C_i = < 2.5 \text{ nF}$

IP degree acc. to IEC 60529..IP 66

Other electrical certifications in progress.

1) With appropriate order only

2) National requirements must be observed

SRD998 with HART communication
SRD998-Hxxxx

Signal Input Two wire system
 Reverse polarity protection. standard feature
 Signal range 4 to 20 mA
 Operating range. 3.6 to 21.5 mA
 Input voltage DC 12...36 V ¹⁾ (unloaded)
 Load 420 Ohms, 8.4 V at 20 mA
 Communication signal..... HART 7, 1200 Baud, FSK
 (Frequency Shift Key)
 modulated on 4 to 20 mA
 0.5 Vpp at 1 kOhm load

Input impedance Zi Z = 320 Ohms
 for ac voltage 0.5 to 10 kHz with < 3 dB non-linearity
 Cable capacity and inductance see HART standard
 specifications (e.g. C < 100 nF).
 Impedance of other devices at the input (parallel or
 serial) must be within HART spec.
 Applications without communication require not to exceed
 input capacitance parallel to the input not higher than 5 µF.
 Start-up time..... approx. 3 sec
 Interruption time without power down . . . typ. 8 ms ²⁾

1) On request we can specify higher voltage limits
 2) Worst case conditions 4-20 mA, i/p-output with max. current

Configuration

The SRD998 can be configured via HART by any host system whatever is a PC with a HART Modem, Hand Held Terminal or a DCS.

LOCAL (by means of rotary selector and LCD display)
 See page 6

DTM (Device Type Manager)

We are a leading company in term of FDT-DTM technology

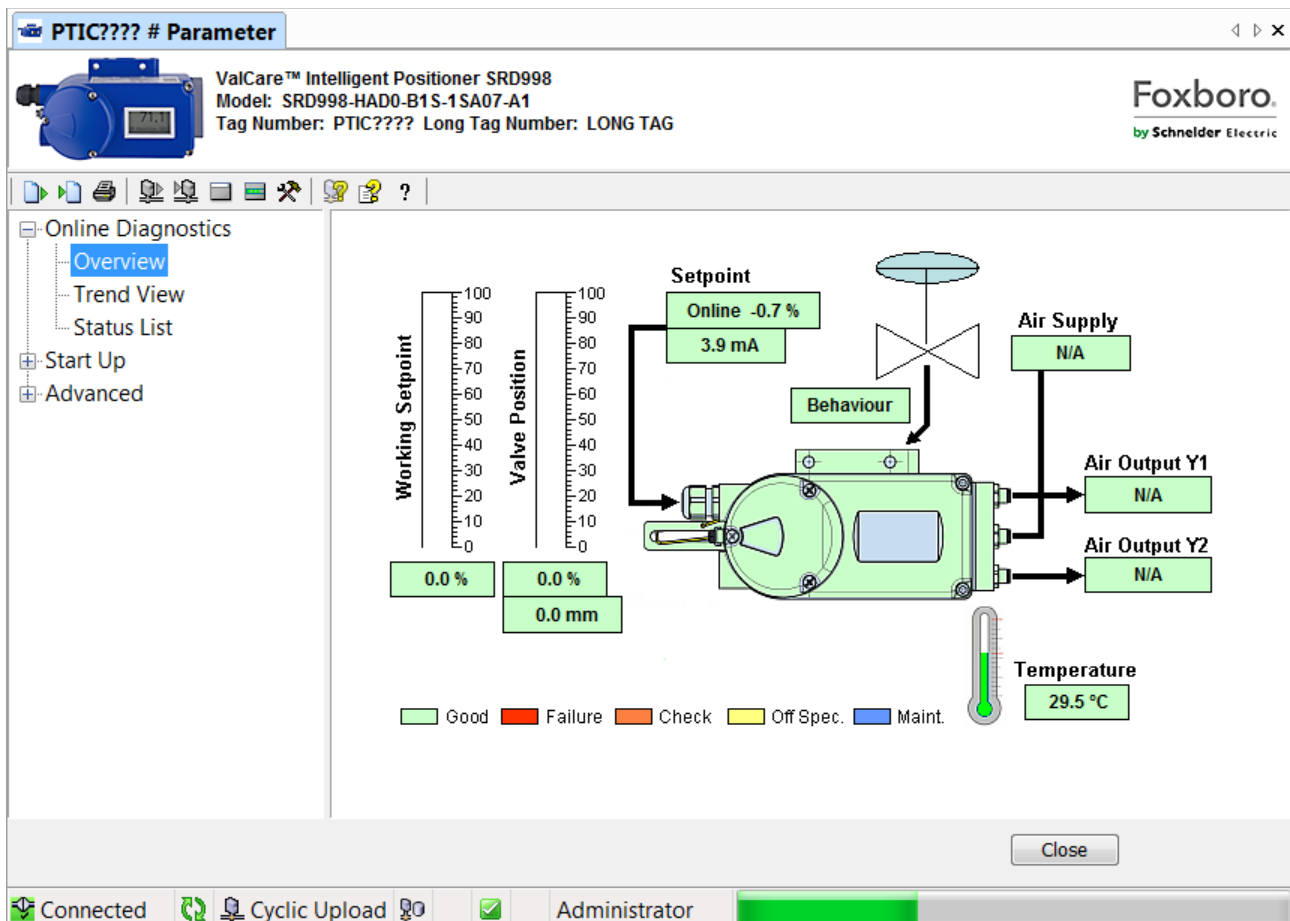
http://www.fdtgroup.org/product-catalog/certified-dtms?company=Foxboro+Eckardt+GmbH&field_device_type_value_many_to_one=All&field_protocol_value_many_to_one=All

Therefore we provide a DTM fully certified for its interoperability and with the state-of-the-art presentation and diagnostics features.

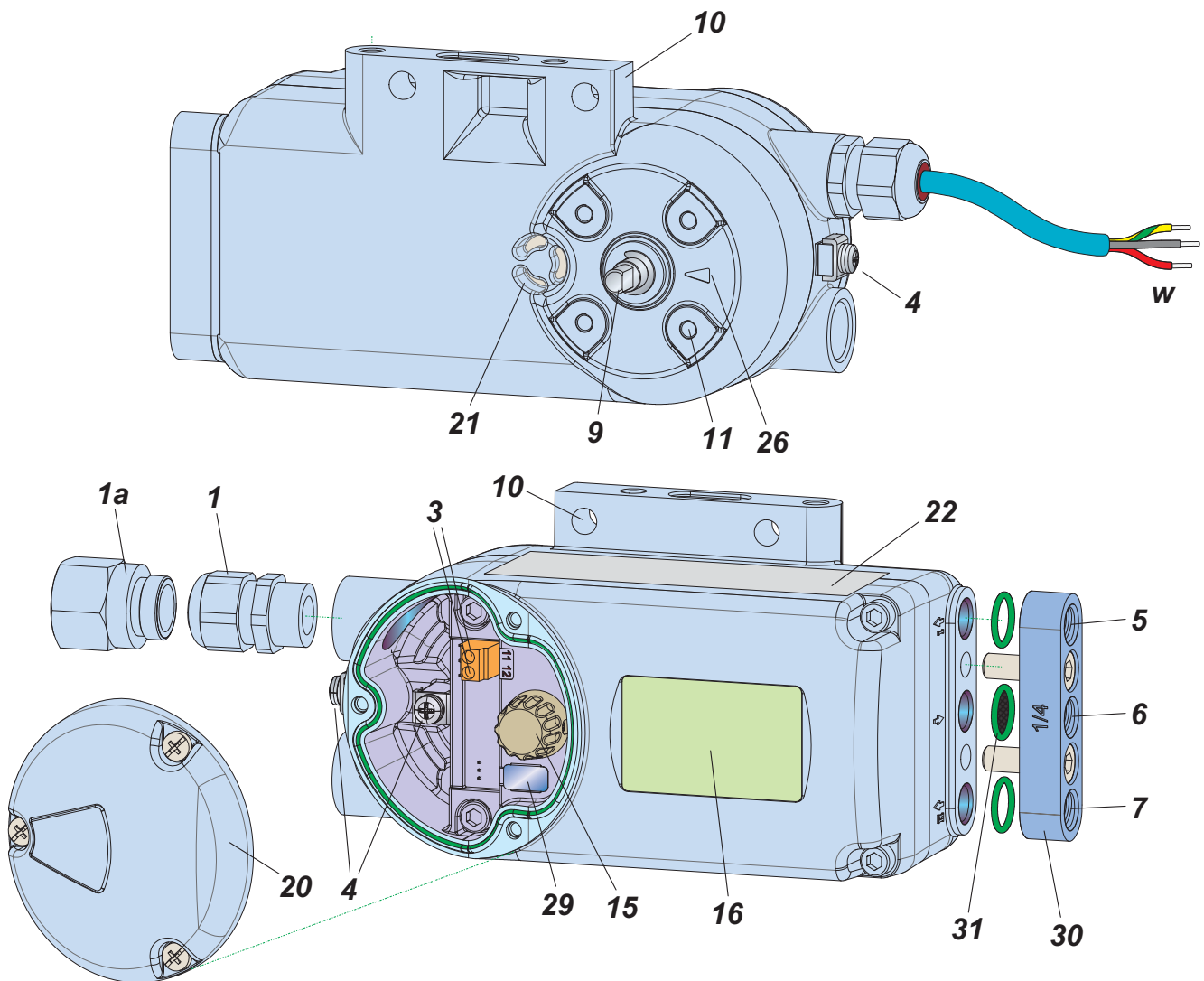
The DTM can be downloaded from our homepage.

DD (Device Description) and EDD (Enhanced Device Description)

In case the host system is not supporting the FDT-DTM technology, you can download the DD and/or EDD from our homepage.



FUNCTIONAL DESIGNATIONS



- | | |
|--|--|
| 1 Cable gland | 11 Connection base for attachment to rotary actuators |
| 1a Adapter, eg. 1/2"-14 NPT | 15 Rotary selector for select Menu and press to confirm |
| 3 Screw terminals (11 / 12) for input (w) | 16 LCD with true text in different languages |
| 4 Ground connection (inner and outer) | 20 Cover for electrical connection compartment |
| 5 Output I (y1) | 21 Air vent, dust and water protected |
| 6 Air supply (s) | 22 Data label |
| 7 Output II (y2) | 26 Arrow is perpendicular to shaft 9 at angle 0 degree |
| 9 Feedback shaft | 29 Service only |
| 10 Connection manifold for attachment to stroke actuators | 30 Connecting manifold, G 1/4 or 1/4 NPT |
| | 31 Component O-ring with filter, for air supply |

MODEL CODES SRD998

030816

Intelligent Positioner	SRD998	-	-	-	-	-	-	-	-	-	-	-	-	-
Communication														
HART	H													
Profibus PA (a)	P													
FOUNDATION Fieldbus H1 . . . (a)	Q													
Diagnostics Performance														
Basic Diagnostics	BD													
Advanced Diagnostics (a)	AD													
Premium Diagnostics (a)	PD													
Partial Stroke Testing & Shutdown . . (a)	SA													
Partial Stroke Testing & SOV Monitoring(a)	SB													
Electrical In-Out Option														
No In-Out Option	0													
Universal In-Out Option (a)	1													
Version														
Single acting	B													
Double Acting	C													
Pneumatic Performance														
Standard Pneumatic	0													
Enhanced Pneumatic (a)	1													
High Air Output (a)	2													
Fail in case of lost of power														
Fail safe	S													
Fail freeze (a)	F													
Housing														
Aluminum	1													
SST (316) (a)	2													
Aluminium Ex d (a)	3													
SST (316) Ex d (a)	4													
Mounting														
Standard	S													
For direct mounting (a)	T													
For VDI/VDE 3847 (a)	U													
For remote mouting positioner with side mounting potentiometer unit . . (a)	V													
For remote mouting positioner with top mounting potentiometer unit . . (a)	W													
For remote mouting positioner without potentiometer unit (to be order separately) (a)	Y													
Pneumatic Connection														
1/4 NPT	A													
1/4 G	B													
1/4 NPT with tapped exhaust . . (a)	C													
1/4 G with tapped exhaust . . . (a)	D													
Gauges														
without gauge	0													
With 2 standard gauges for single acting (b)	1													
With 2 Nickel plated gauges connection for single acting . . (b)	2													
With 3 standard gauges for double acting (c)	3													
With 3 Nickel plated gauges connection for double acting . (c)	4													
Electrical Connection														
M20x1.5	7													
1/2 NPT (made with an adaptor)	8													

(continued on next page)

MODEL CODES SRD998 (continued)

Electrical Certification

without certification		ZZ
ATEX / IEC Ex: II 2G Ex ia IIC T4/T6 Gb, II 1D Ex ia IIIC T100 °C Da		A1
ATEX / IEC Ex: II 2G Ex ib IIC T4/T6 Gb, II 2D Ex ib IIIC T100 °C Db		A2
ATEX / IEC Ex: II 3G Ex ic IIC T4/T6 Gc, II 3D Ex ic IIIC T100 °C Dc		A3
FM certification IS (a)		F1
CSA certification IS (a)		C1
EAC certification IS (a)		G1
INMETRO: Ex ia IIC T4/T6 Gb, Ex ia IIIC T100 °C Da, IP66		B1
INMETRO: Ex ib IIC T4/T6 Gb, Ex ib IIIC T100 °C Db, IP66		B2
INMETRO: Ex ic IIC T4/T6 Gc, Ex ic IIIC T100 °C Dc, IP66		B3
NEPSI: Ex ia IIC T4/T6 Ga, Ex ia D20 T100 Da, IP66		N1
NEPSI: Ex ib IIC T4/T6 Gb, Ex ib D21 T100 Db, IP66		N2
NEPSI: Ex ic IIC T4/T6 Gc, Ex ic D22 T100 Dc, IP66		N3
KOSHA certification IS (a)		K1
TIIS certification IS (a)		J1
CNS certification IS *		

Options

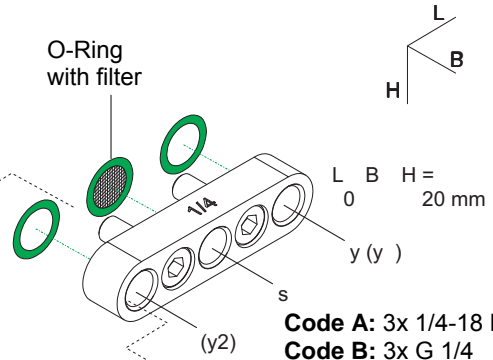
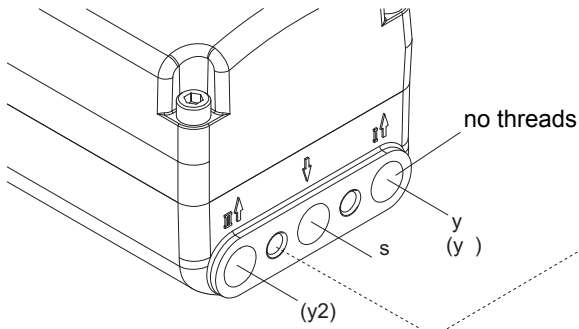
Positioner suitable for use of natural gas instead of air supply (a)	-S
Positioner free of copper and its alloys (a)	-C
Approved for SIL2 / SIL3 application (a)	-Q
Stainless Steel Label Fixed With Wire	-L
Positioner with ECEP (a)	-X

Example:

SRD998 – H . . BD . 0 . – . B . . 0 . . S . – . 1 . . S . . A . . 0 . . 7 . – . A1 . – . L
 = Intelligent Positioner, HART, single acting, ATEX / IECEx IS certified, SS Label

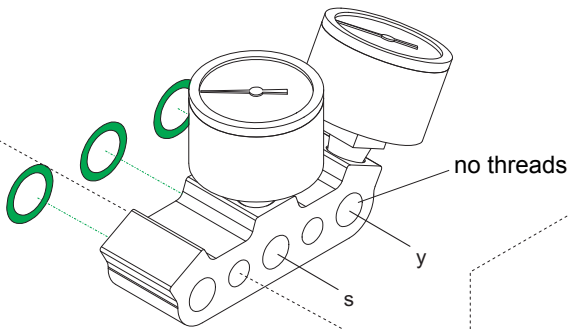
- (a) Not released
- (b) Only to be ordered with single acting model code Version B
- (c) Only to be ordered with double acting model code Version C
- * The SRD998 has the CNS certificate for usage in Taiwan

Accessories, for all basic devices

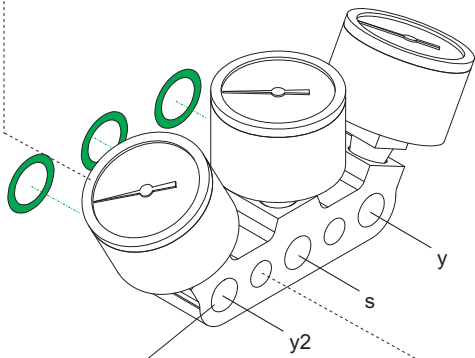


Code A: 3x 1/4-18 NPT
Code B: 3x G 1/4
Connection manifold

Sticker closes the unused output at single acting

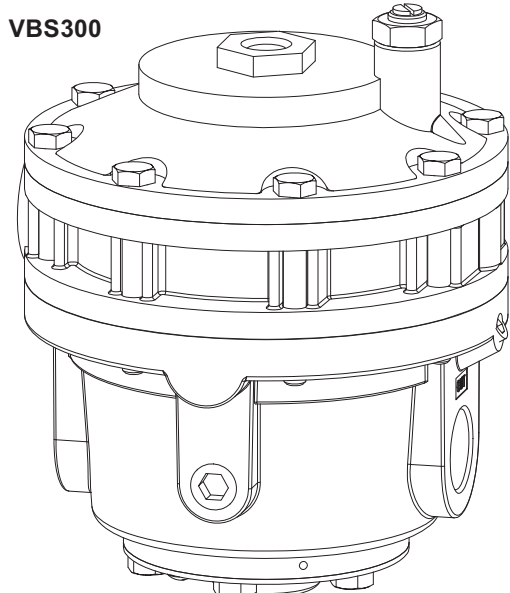
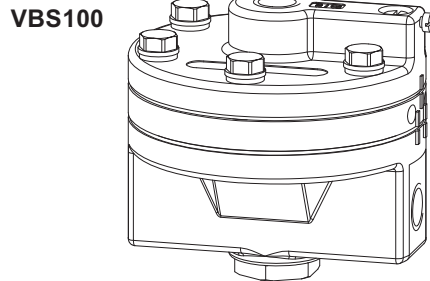


Code 1 or 2, single
Connection manifold for single acting positioner with pressure gauges for supply air s and output y



Code 3 or 4, double
Connection manifold for double acting positioner with pressure gauges for supply air s, outputs y1 and y2

Boosters for remote mounting:
(see extra PSS)



MODEL CODES Accessories

080915

Accessories for SRD998**Filter Regulators**

Filter Regulator for -30°C to 70°C.	FRS02
Stainless Steel (316) Filter Regulator	FRS03
High Flow Filter Regulator 1/2 inch / Aluminium	FRS04
High Flow Filter Regulator 1/2 inch / Stainless Steel.	FRS05
Mounting Bracket for FRS02 or FRS03	EBZG-FR1
Orientable Mounting Bracket for FRS02 or FRS03	EBZG-FR2
Nipple for direct mounting Filter regulator 1/4 NPT both sides	VG-91
Mounting Bracket for FRS04	EBZG-FR4
Mounting Bracket for FRS05	EBZG-FR5
Nipple 1/2 NPT (FRS04/05 side) to 1/4 NPT (SRD998 side) for direct piping.	VG-93

Communication / Modem / DTM

HART USB Modem (made by Ifak) with ATEX IS Certification	MOD900
DTM for SRD Serie for HART / FF / Profibus	VALCARE

Booster Relay (in case of double acting, qty. must be 2 pieces)

Booster Cv1 - Alu Housing - Remote mount	VBS100
Booster Cv1 - SST Housing - Remote mount (a)	VBS110
Booster Cv7 - Alu Housing - Remote mount	VBS300
Booster Cv7 - SST Housing - Remote mount	VBS310

Lock-in Relays

Lock In Relay, Single Acting, Aluminum Casing (a)	LIR01
Lock In Relay, Double Acting, Aluminum Casing. (a)	LIR02
Lock In Relay, Single Acting, SST 316L Casing (a)	LIR03
Lock In Relay, Double Acting, SST 316L Casing. (a)	LIR04

Limit switch

Mechanical Limit Switch weatherproof and plastic housing (TE Sensors XCKN2118P20)	MLS01
---	-------

Cable Gland

Cable Gland, M20x1.5 Plastics, Color Gray/Black	BUSG-K6
Cable Gland, M20x1.5 Plastics, Color Blue	BUSG-K7
Cable Gland, M20x1.5 Plastics, Color White.	BUSG-K9
Cable Gland, M20x1.5 Stainless Steel.	BUSG-S6

Adapter

Adapter (Brass With Nickel Coating) M20 x 1.5 To 1/2 - 14 NPT (Internal Thread).	AD-A5
Adapter (ss) M20x1.5 to 1/2-14 NPT (Internal Thread)	AD-A6

(a) not released

MODEL CODES Accessories

010413

Accessories for SRD998

Attachment Kits

EBZG

For diaphragm actuators with casting yoke acc. NAMUR (incl. standard Couple lever)	-H
For diaphragm actuators with pillar yoke acc. NAMUR (incl. standard Couple lever).	-K
For FoxTop / FoxPak (g)	-E1
For mounting to rotary actuators acc. VDI/VDE 3845 (without bracket)	-R
Brackets VDI/VDE 3845 (A = 80 mm / 3.15 in; B = 20 mm / 0.79 in)	-C1
Brackets VDI/VDE 3845 (A = 80 mm / 3.15 in; B = 30 mm / 1.18 in)	-C2
Brackets VDI/VDE 3845 (A = 130 mm / 5.12 in; B = 50 mm / 1.97 in).	-C3
Brackets VDI/VDE 3845 (A = 130 mm / 5.12 in; B = 30 mm / 1.18 in).	-C4
Universal Brackets VDI/VDE 3845 (A = 80 or 130 mm; B=20 or 30 or 50 mm)	-C5

Couple Lever

EBZG

Standard (stroke max. 80 mm)	A
Extended (stroke max. 260 mm)	-A1
Reduced (stroke < 8 mm)	-A2
Fold feedback lever (stroke 8 to 70 mm)	-A3
Short stroke (stroke 8 to 35 mm)	-A4
Couple Lever Folded (stroke special)	-A5
Extended (stroke max. 120 mm)	-B

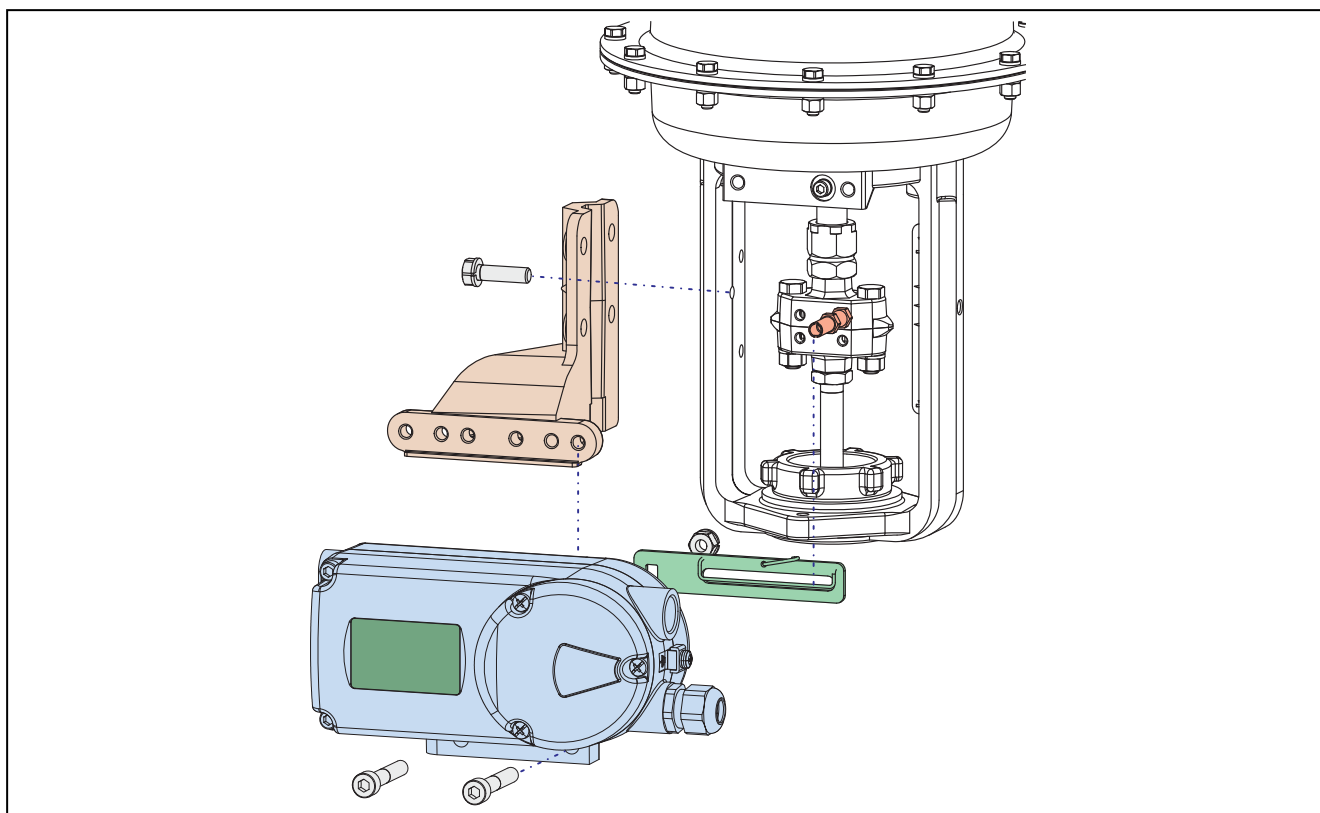
Carrier bolt

SRXG

Carrier bolt extra short 23 mm	-A
Adjustable carrier bolt 20 to 37 mm	-B
Carrier bolt 38 mm	-C
Carrier bolt 47 mm	-D
Carrier bolt 57 mm	-E
Carrier bolt 65 mm	-F
Adjustable carrier bolt with fixing system for stem diameter up to 21 mm	-G
Adjustable carrier bolt with fixing system for stem diameter up to 34 mm	-H
Carrier Bolt 80 mm	-I
Adjustable carrier bolt for thread 3/8"	-J
Adjustable carrier bolt for thread 5/16"	-K
Extension for carrier bolt	-L
Adjustable carrier bolt with fixing system centered for stem diameter up to 64 mm	-M
Adjustable carrier bolt with fixing system centered for stem diameter up to 21 mm	-G1
Adjustable carrier bolt with fixing system centered with extension up to 80 mm for stem diameter up to 21 mm	-G2

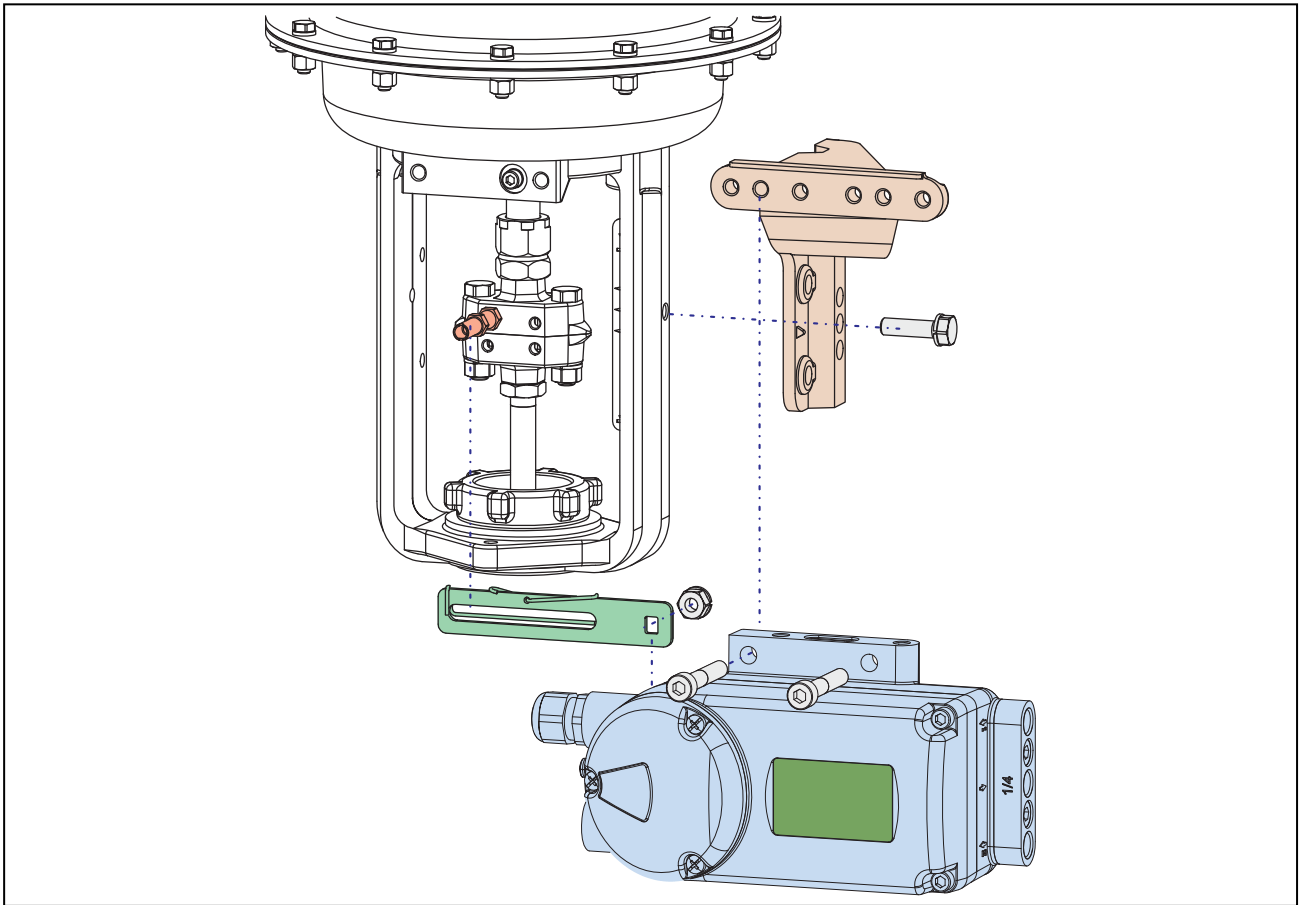
MOUNTING TO LINEAR ACTUATORS

Attachment to stroke actuators acc. to IEC 534-6 (NAMUR), left hand



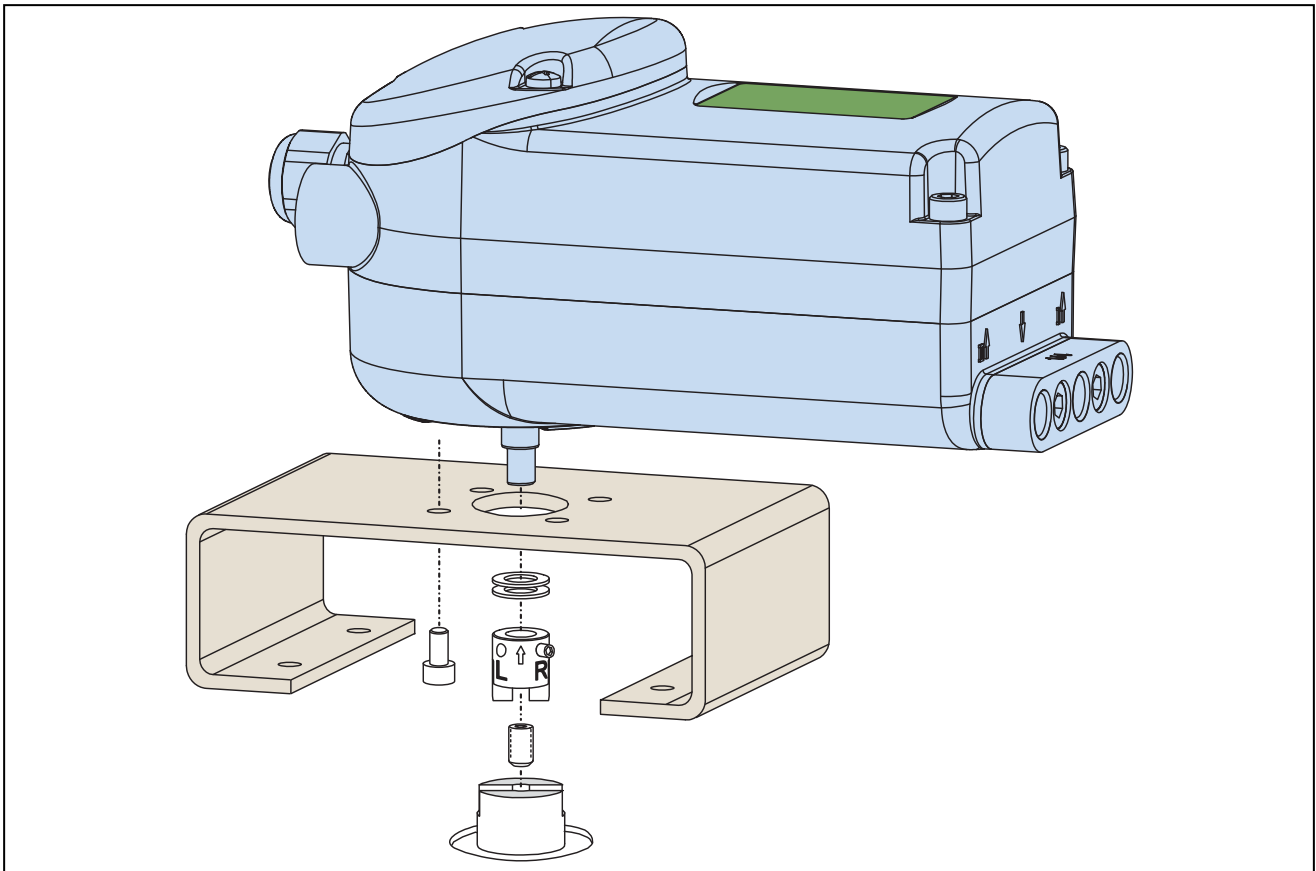
MOUNTING TO LINEAR ACTUATORS

Attachment to stroke actuators acc. to IEC 534-6 (NAMUR), right hand

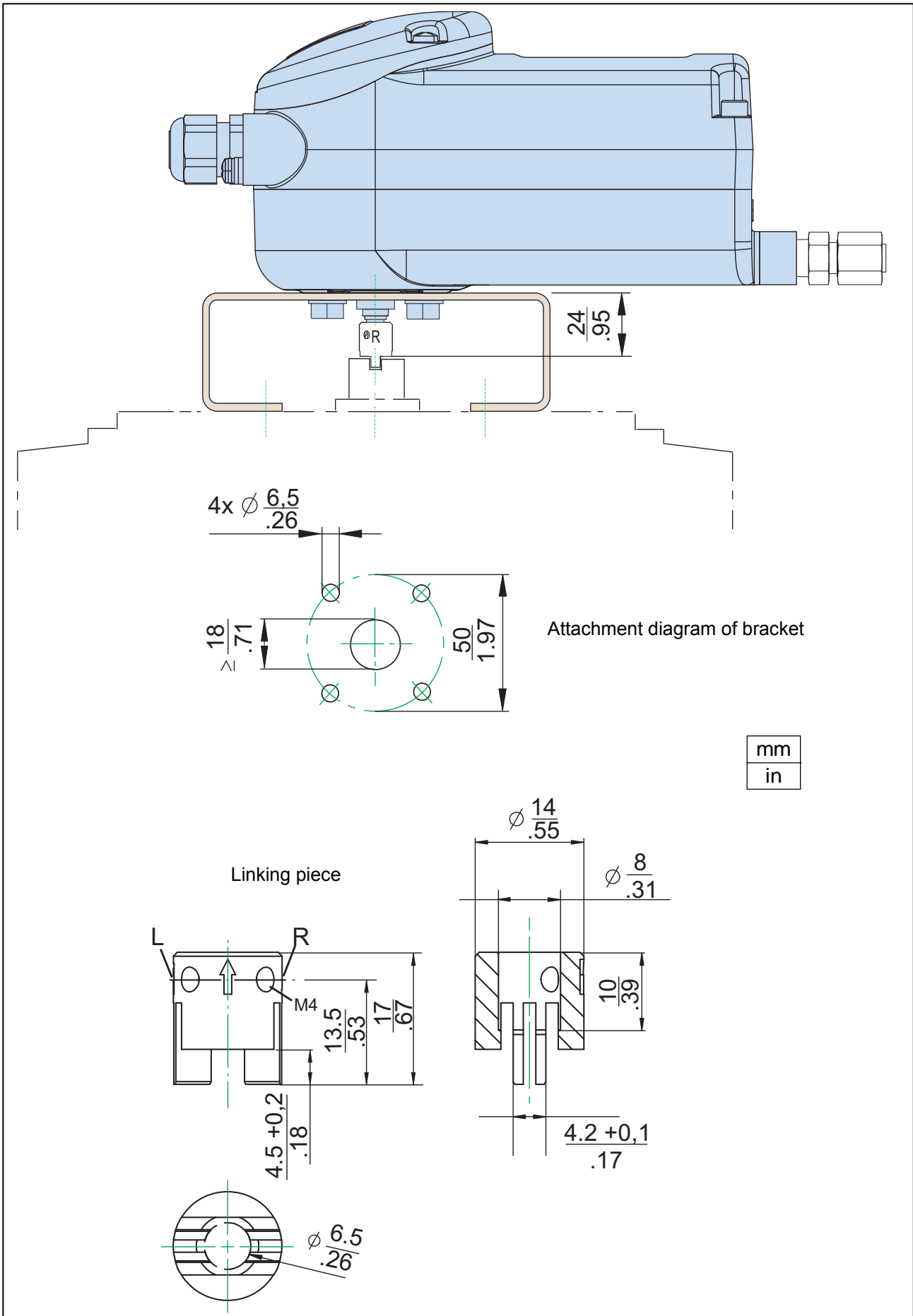


MOUNTING TO ROTARY ACTUATORS

Delivery of bracket by manufacturer of actuator



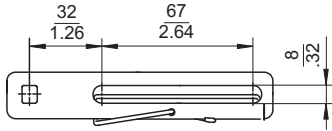
DIMENSIONS – Attachment to rotary actuators



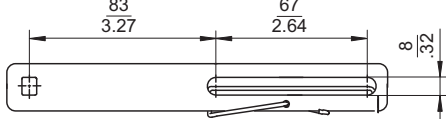
DIMENSIONS

Components of Attachment kits (samples)

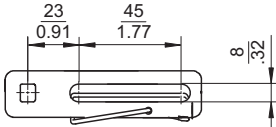
Feedback lever Code EBZG-A for 8 to 70 mm travel



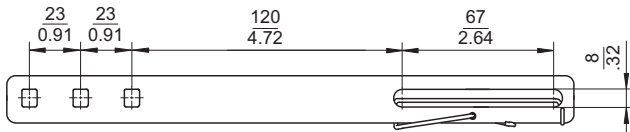
Feedback lever Code EBZG-B for 60 to 120 mm travel



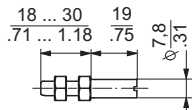
Feedback lever FlowPak/FlowTop in Code EBZG-E



Feedback lever Code EBZG-A1 for 100 to 260 mm travel

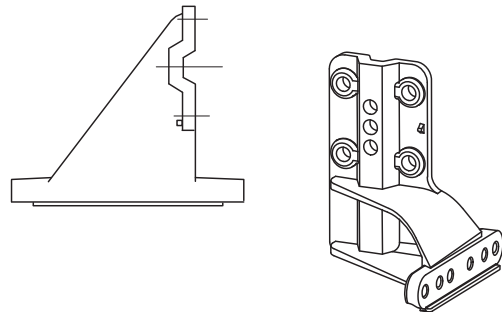
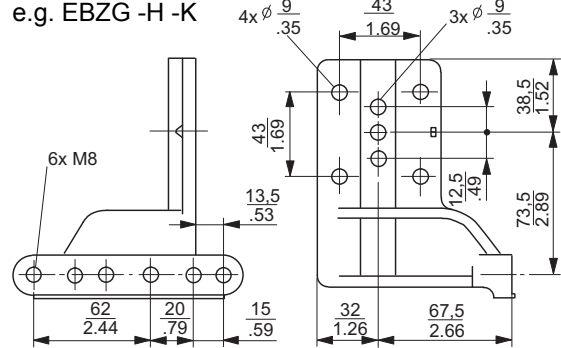


Carrier bolt for connection to valve stem



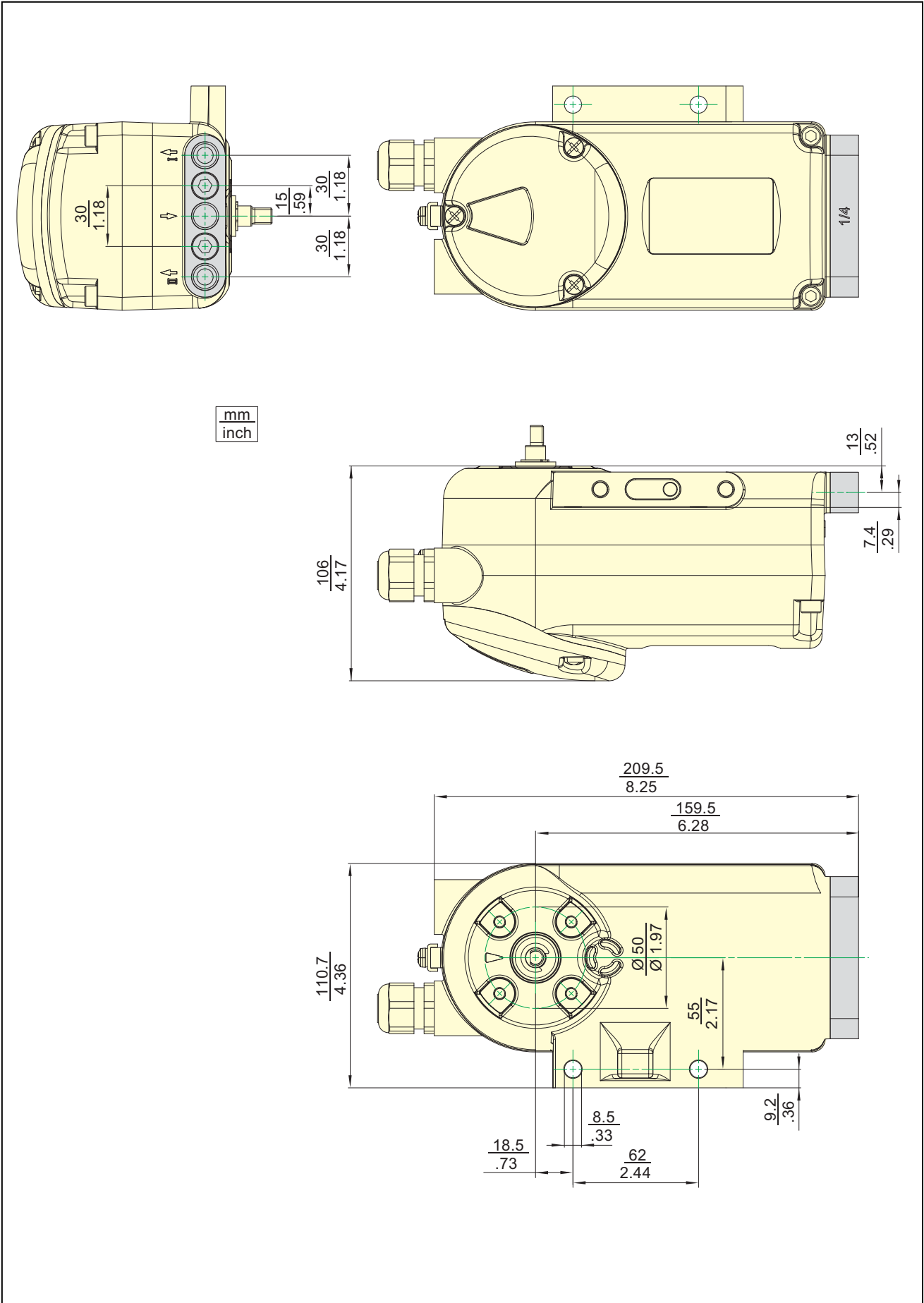
Mounting bracket

e.g. EBZG -H -K

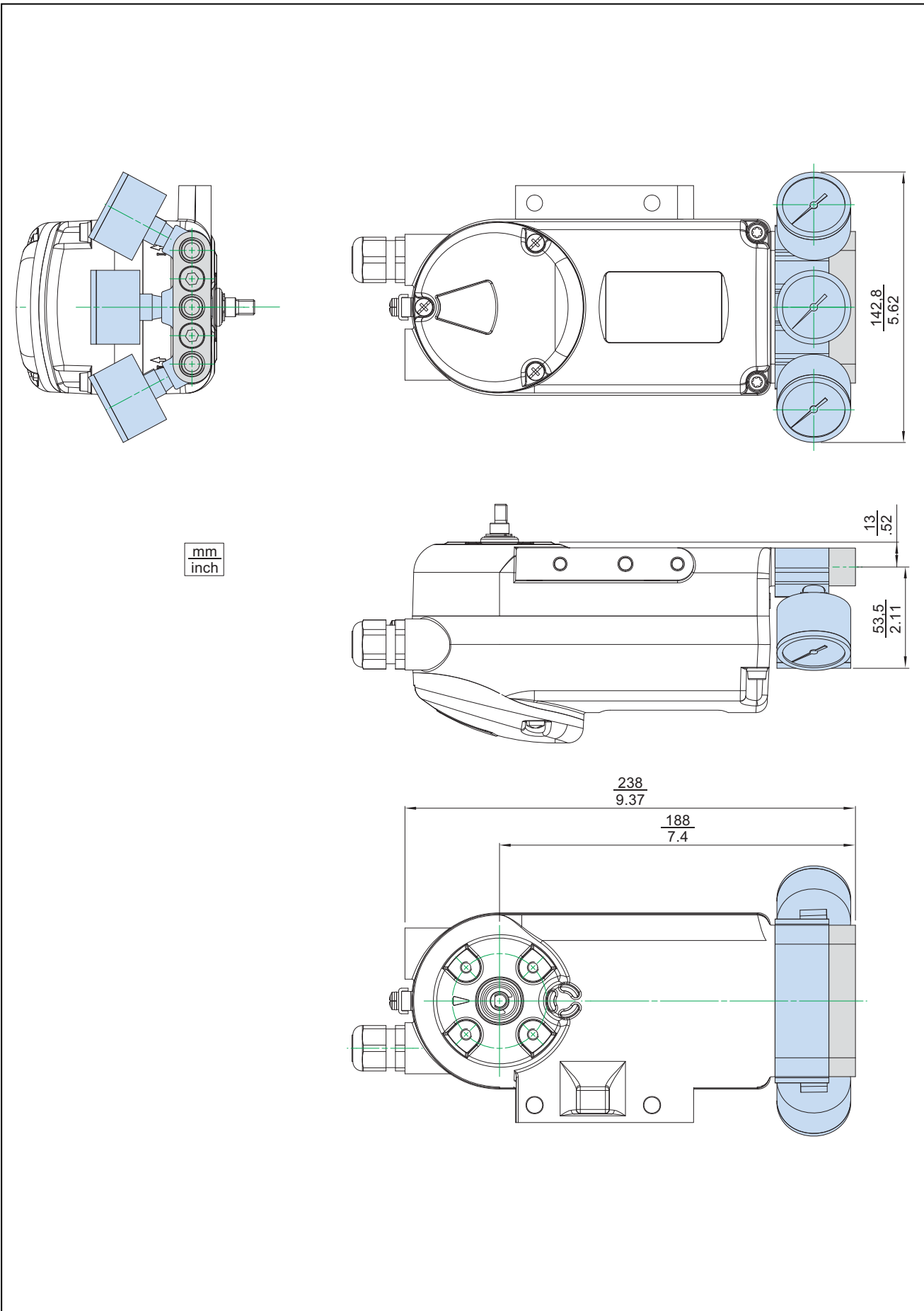


mm
in

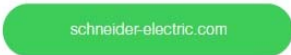
DIMENSIONS with manifold



DIMENSIONS with gauges and manifold



Invensys Systems, Inc.
38 Neponset Avenue
Foxboro, MA 02035
United States of America



Global Customer Support
Toll free: 1-866-746-6477
Global: 1-508-549-2424
Website:
<http://support.ips.invensys.com>

Copyright 2010-2016 Invensys Systems, Inc.
All rights reserved.
Invensys, Foxboro, and I/A Series are trademarks of Invensys Limited, its subsidiaries, and affiliates. All other trademarks are the property of their respective owners.

DOKT 558 742 027 i00
FD-PSS-PO-998-EN

0816

